



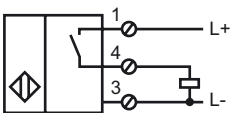
Model Number

NJ30+U1+E2

Features

- Comfort series
- 30 mm not embeddable

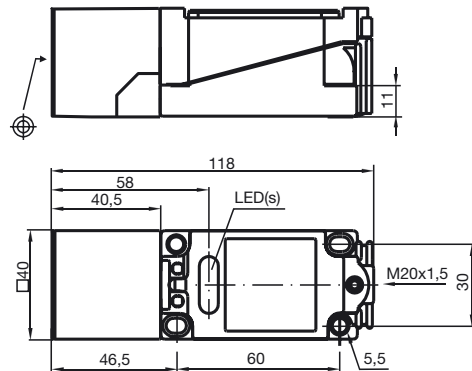
Connection



Accessories

MHW 01
Modular mounting bracket

Dimensions



Technical Data

General specifications

Switching element function	PNP	NO
Rated operating distance	s_n	30 mm
Installation	not embeddable	
Output polarity	DC	
Assured operating distance	s_a	0 ... 24.3 mm
Reduction factor r_{Al}	0.45	
Reduction factor r_{Cu}	0.4	
Reduction factor r_{303}	0.8	

Nominal ratings

Operating voltage	U_B	10 ... 60 V
Switching frequency	f	0 ... 100 Hz
Hysteresis	H	1 ... 10 typ. 5 %
Reverse polarity protected	reverse polarity protected	
Short-circuit protection	pulsing	
Voltage drop	U_d	≤ 2.8 V
Operating current	I_L	0 ... 200 mA
Off-state current	I_r	0 ... 0.5 mA typ. 0.01 mA
No-load supply current	I_0	≤ 10 mA
Operating voltage display	LED, green	
Indication of the switching state	LED, yellow	

Ambient conditions

Ambient temperature	-25 ... 70 °C (-13 ... 158 °F)
Storage temperature	-25 ... 85 °C (-13 ... 185 °F)

Mechanical specifications

Connection type	screw terminals
Core cross-section	up to 2.5 mm ²
Housing material	PBT
Sensing face	PBT
Protection degree	IP68

Compliance with standards and directives

Standard conformity	
Standards	EN 60947-5-2:2007 IEC 60947-5-2:2007

Approvals and certificates

UL approval	cULus Listed, General Purpose
CSA approval	cCSAus Listed, General Purpose
CCC approval	Certified by China Compulsory Certification (CCC)

Release date: 2011-07-20 11:48 Date of issue: 2011-07-20 084522_eng.xml