



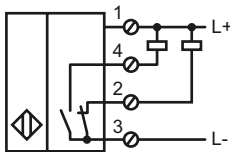
Model Number

NJ30+U1+A

Features

- Comfort series
- 30 mm not embeddable

Connection

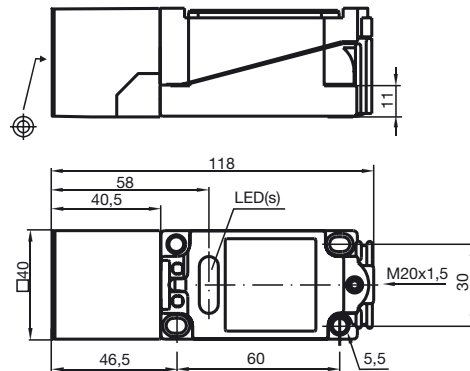


Accessories

MHW 01

Modular mounting bracket

Dimensions



Technical Data

General specifications

Switching element function		NPN	NO/NC
Rated operating distance	s_n	30 mm	
Installation		not embeddable	
Output polarity		DC	
Assured operating distance	s_a	0 ... 24.3 mm	
Reduction factor r_{Al}		0.45	
Reduction factor r_{Cu}		0.4	
Reduction factor r_{303}		0.8	

Nominal ratings

Operating voltage	U_B	10 ... 60 V
Switching frequency	f	0 ... 100 Hz
Hysteresis	H	1 ... 10 typ. 5 %
Reverse polarity protected		reverse polarity protected
Short-circuit protection		pulsing
Voltage drop	U_d	≤ 2.8 V
Operating current	I_L	0 ... 200 mA
No-load supply current	I_0	≤ 10 mA
Operating voltage display		LED, green
Indication of the switching state		LED, yellow

Ambient conditions

Ambient temperature		-25 ... 70 °C (-13 ... 158 °F)
---------------------	--	--------------------------------

Mechanical specifications

Connection type		screw terminals
Core cross-section		up to 2.5 mm ²
Housing material		PBT
Sensing face		PBT
Protection degree		IP68

Approvals and certificates

UL approval		cULus Listed, General Purpose
CSA approval		cCSAus Listed, General Purpose
CCC approval		Certified by China Compulsory Certification (CCC)