



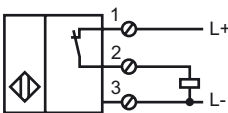
Model Number

NJ15+U1+E3

Features

- Comfort series
- 15 mm embeddable

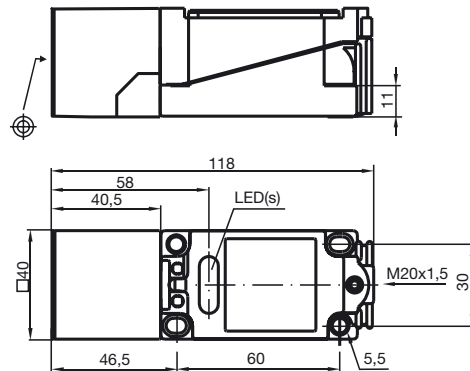
Connection



Accessories

MHW 01
Modular mounting bracket

Dimensions



Technical Data

General specifications

Switching element function		PNP	NC
Rated operating distance	s_n	15 mm	
Installation		embeddable	
Output polarity		DC	
Assured operating distance	s_a	0 ... 12.15 mm	
Reduction factor r_{Al}		0.3	
Reduction factor r_{Cu}		0.25	
Reduction factor r_{303}		0.75	

Nominal ratings

Operating voltage	U_B	10 ... 60 V	
Switching frequency	f	0 ... 150 Hz	
Hysteresis	H	1 ... 10 typ. 5 %	
Reverse polarity protected		reverse polarity protected	
Short-circuit protection		pulsing	
Voltage drop	U_d	≤ 2.8 V	
Operating current	I_L	0 ... 200 mA	
Off-state current	I_r	0 ... 0.5 mA typ. 0.01 mA	
No-load supply current	I_0	≤ 10 mA	
Operating voltage display		LED, green	
Indication of the switching state		LED, yellow	

Ambient conditions

Ambient temperature		-25 ... 70 °C (-13 ... 158 °F)
Storage temperature		-25 ... 85 °C (-13 ... 185 °F)

Mechanical specifications

Connection type		screw terminals
Core cross-section		up to 2.5 mm ²
Housing material		PBT
Sensing face		PBT
Protection degree		IP68

Compliance with standards and directives

Standard conformity		
Standards		EN 60947-5-2:2007 IEC 60947-5-2:2007

Approvals and certificates

UL approval		cULus Listed, General Purpose
CSA approval		cCSAus Listed, General Purpose
CCC approval		Certified by China Compulsory Certification (CCC)

Release date: 2011-07-20 11:47 Date of issue: 2011-07-20 084511_eng.xml