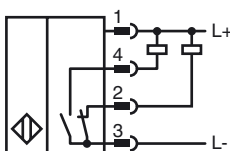


**Model Number**

SJ30-A0-V1

Features

- 30 mm slot width
- 4-wire DC

Connection**Accessories****V1-G**

4-pin, M12 female field-attachable connector

V1-W

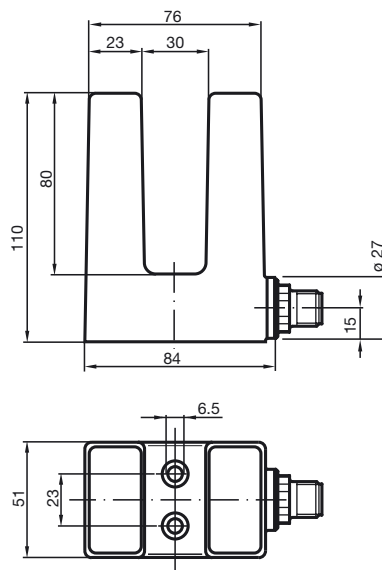
4-pin, M12 female field-attachable connector

V1-G-2M-PUR

Cable socket, M12, 4-pin, PUR cable

V1-W-2M-PUR

Cable socket, M12, 4-pin, PUR cable

Dimensions**Technical Data****General specifications**

Switching element function	NPN	NO/NC
Slot width	30 mm	
Depth of immersion (lateral)	27 ... 31 mm	
Installation		
Output polarity	DC	

Nominal ratings

Operating voltage	U_B	10 ... 65 V DC
Switching frequency	f	0 ... 150 Hz
Reverse polarity protected	reverse polarity protected	
Short-circuit protection	pulsing	
Voltage drop	U_d	≤ 3 V
Operating current	I_L	0 ... 200 mA
No-load supply current	I_0	≤ 20 mA

Ambient conditions

Ambient temperature	-25 ... 70 °C (-13 ... 158 °F)
---------------------	--------------------------------

Mechanical specifications

Connection type	Device connector M12 x 1, 4-pin
Housing material	ABS
Protection degree	IP67

Compliance with standards and directives

Standard conformity	
Standards	EN 60947-5-2:2007 IEC 60947-5-2:2007

Approvals and certificates

UL approval	cULus Listed, General Purpose
CSA approval	cCSAus Listed, General Purpose