



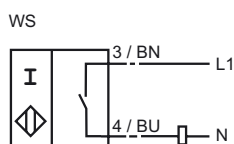
Model Number

NBN15-30GKK-WS

Features

- Basic series
- 15 mm not embeddable

Connection

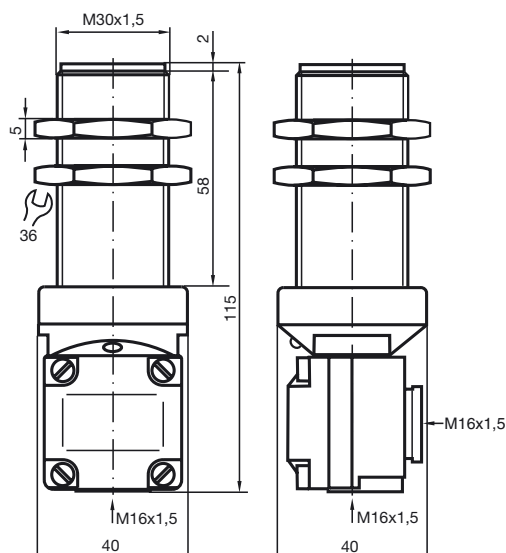


Accessories

BF 30

Mounting flange

Dimensions



Technical Data

General specifications

Switching element function	AC	Make function
Rated operating distance	s_n	15 mm
Installation	not embeddable	
Output polarity	AC	
Assured operating distance	s_a	0 ... 12.15 mm
Reduction factor r_{AI}	0.43	
Reduction factor r_{Cu}	0.41	
Reduction factor r_{V2A}	0.82	

Nominal ratings

Operating voltage	U_B	20 ... 250 V
Switching frequency	f	0 ... 25 Hz
Hysteresis	H	typ. 5 %
Short-circuit protection	no	
Voltage drop	U_d	≤ 3 V
Momentary current (20 ms, 0.1 Hz)	0 ... 1600 mA	
Operating current	I_L	1.5 ... 200 mA
Off-state current	I_r	0 ... 1.5 mA typ.

Standard conformity

Standards	IEC / EN 60947-5-2:2004
-----------	-------------------------

Ambient conditions

Ambient temperature	-25 ... 70 °C (248 ... 343 K)
---------------------	-------------------------------

Mechanical specifications

Connection type	terminal compartment
Core cross-section	up to 2.5 mm ²
Housing material	PBT
Sensing face	PBT
Protection degree	IP67

Approvals and certificates

CCC approval	Certified by China Compulsory Certification (CCC)
--------------	---