



OBS3000-18GM70-E5

Reflection light beam switch

OBS3000-18GM70-E5

with 2 m fixed cable

CE



- ◆ Detection range up to 3000 mm
- ◆ Light/dark ON, programmable
- ◆ Protection degree IP67
- ◆ Strong metallic housing in cylindrical shape M18 x 1
- ◆ Sensitivity adjuster for optimal adaptation to the application
- ◆ LED indicator for a simple operation start

Release date: 2004-07-20 09:39 Date of issue: 2005-07-06 082406_ENG.xml

General specifications

| | |
|---------------------------|---------------------------|
| Effective detection range | 0 ... 3 m |
| Reflector distance | 100 ... 3000 mm |
| Light source | LED |
| Approvals | CE |
| Reference target | reflector C110_2 |
| Light type | infrared, modulated light |
| Ambient light limit | 10000 Lux |

Indicators/operating means

| | |
|--------------------|-----------------------------|
| Function display | LED yellow: switching state |
| Operating elements | sensitivity adjuster |

Electrical specifications

| | |
|--------------------------------------|----------------|
| Operating voltage | 10 ... 30 V DC |
| Ripple | 10 % |
| No-load supply current I_0 | ≤ 20 mA |
| Time delay before availability t_v | ≤ 50 ms |

Output

| | |
|--------------------------|----------------------|
| Switching type | light/dark switching |
| Signal output | 1 switch output pnp |
| Switching voltage | max. 30 V DC |
| Switching current | max. 100 mA |
| Voltage drop U_d | ≤ 2.5 V |
| Switching frequency f | ≤ 300 Hz |
| Switch-on delay t_{on} | 1.5 ms |
| Response time | ≤ 1.5 ms |

Standard conformity

| | |
|-----------|--------------|
| Standards | EN 60947-5-2 |
|-----------|--------------|

Ambient conditions

| | |
|---------------------|-------------------------------|
| Ambient temperature | -25 ... 55 °C (248 ... 328 K) |
| Storage temperature | -40 ... 70 °C (233 ... 343 K) |

Mechanical specifications

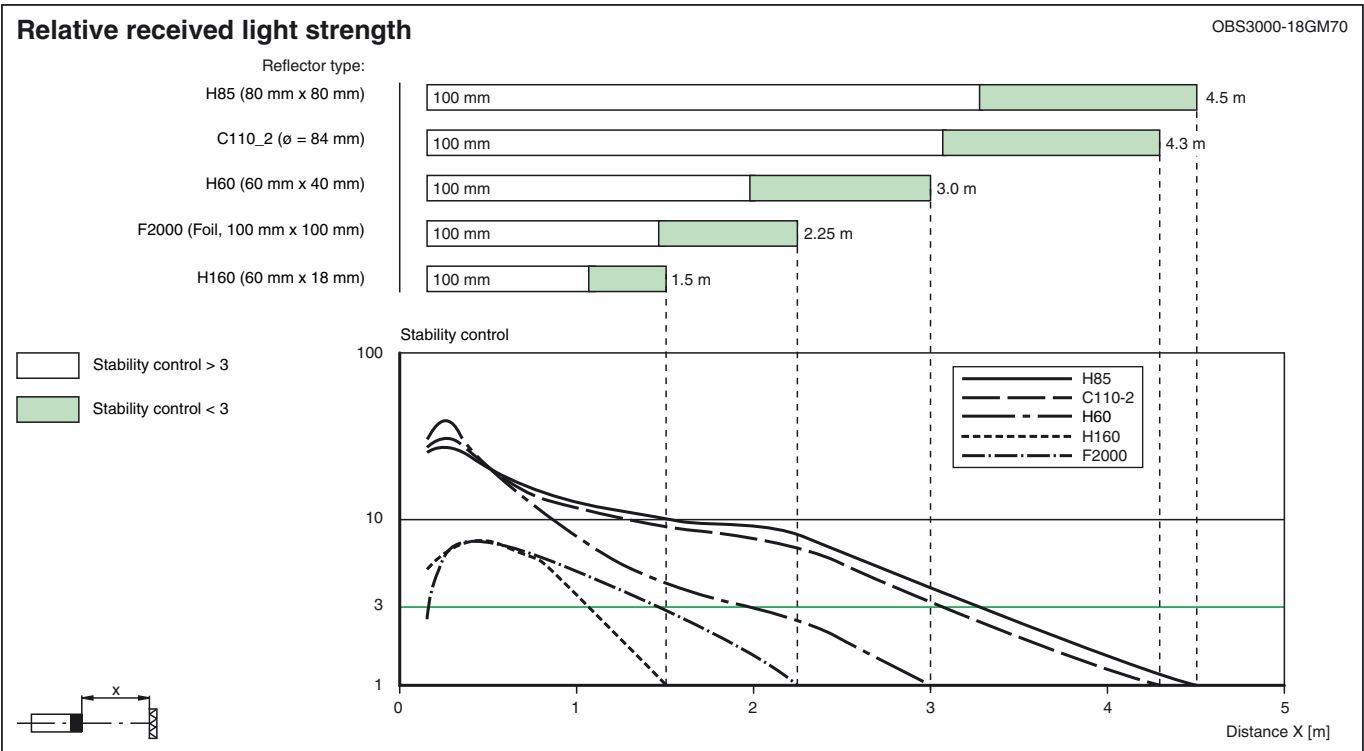
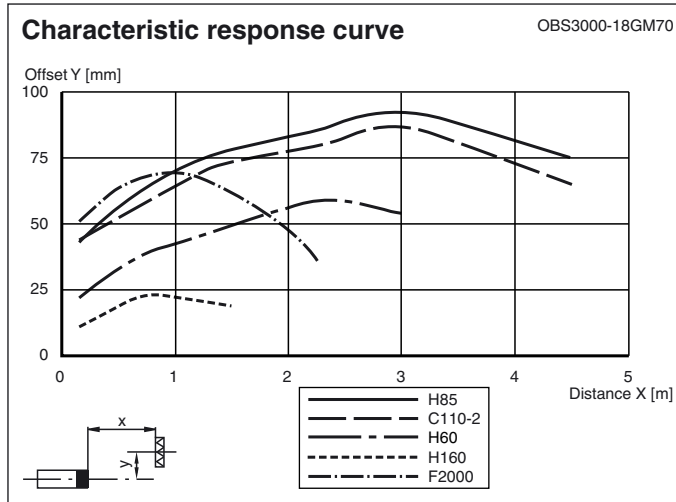
| | |
|-------------------|---|
| Protection degree | IP67 |
| Connection | 2 m cable, 3 x 0,34 mm ² , PVC |
| Material | |
| Housing | brass, nickel-plated |
| Optical face | PC |
| Mass | 45 g |

Release date: 2004-07-20 09:39 Date of issue: 2005-07-06 082406_ENG.xml



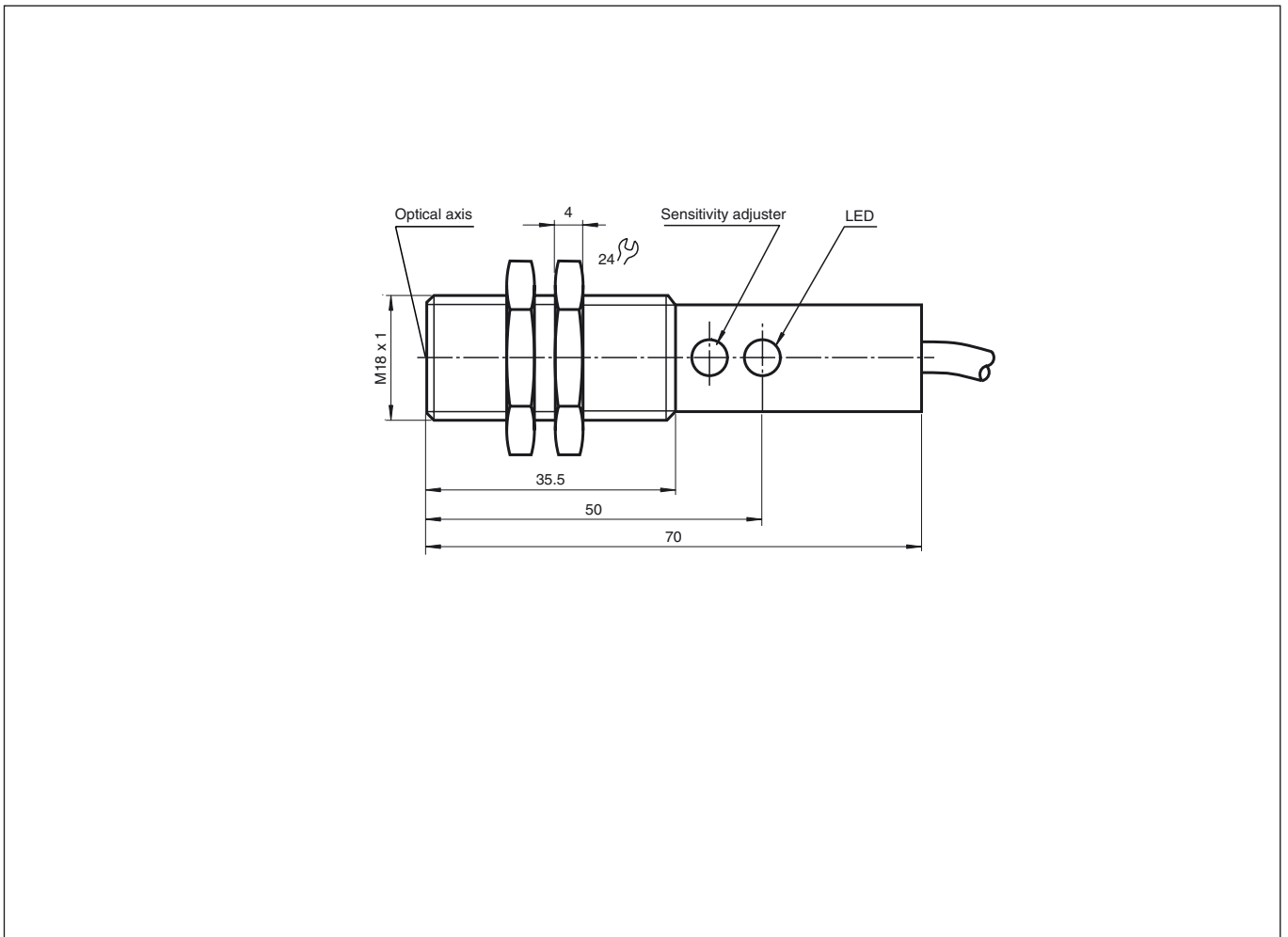
OBS3000-18GM70-E5

Curves/Diagrams

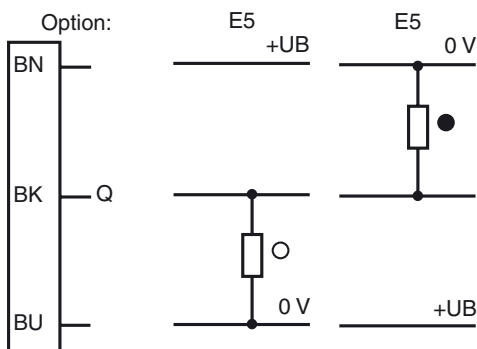


Release date: 2004-07-20 09:39 Date of issue: 2005-07-06 082406_ENG.xml

Dimensions



Electrical connection



○ = light on, ● = dark on

Release date: 2004-07-20 09:39 Date of issue: 2005-07-06 082406_ENG.xml