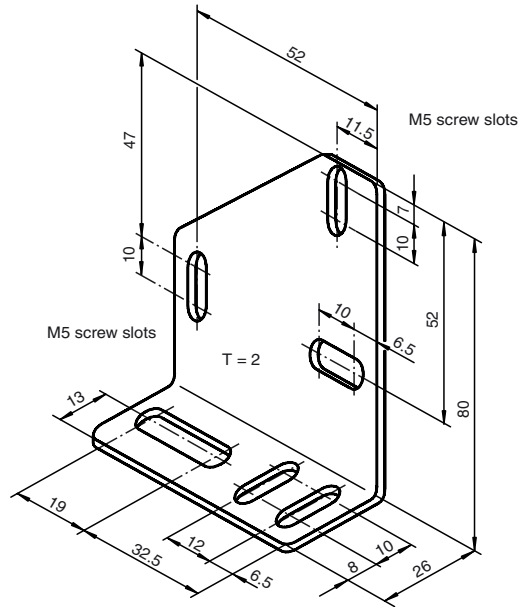




Dimensions



Model number

OMH-RL39

Mounting bracket for sensors of RL39 series

Features

- Mounting bracket
- Simple and fast mounting

Technical data

Mechanical specifications

Material	Metal sheet (steel), zinc plated
Mass	approx. 85 g
Mounting	Mounting accessories included

Suitable series

Series	RL39
--------	------