



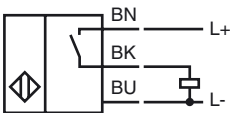
Model Number

NBB7-F10-E2

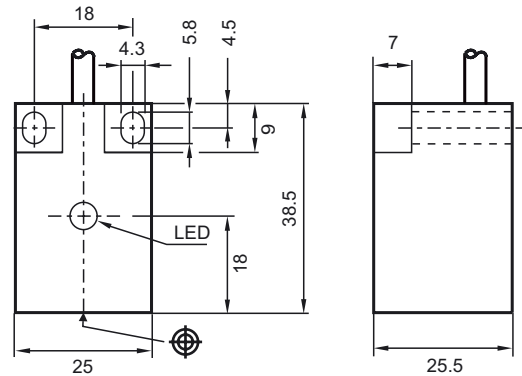
Features

- 3-wire DC
- Sensing range 7 mm

Connection



Dimensions



Technical Data

General specifications

Switching element function		PNP	NO
Rated operating distance	s_n	7 mm	
Installation		flush	
Output polarity		DC	
Assured operating distance	s_a	0 ... 5.67 mm	
Reduction factor r_{Al}		0.3	
Reduction factor r_{Cu}		0.2	
Reduction factor r_{304}		0.6	

Nominal ratings

Operating voltage	U_B	10 ... 30 V
Switching frequency	f	500 Hz
Hysteresis	H	typ. 5%
Reverse polarity protected		yes
Short-circuit protection		yes
Voltage drop	U_d	≤ 3 V
Operating current	I_L	0 ... 150 mA
Off-state current	I_r	0 ... 0.5 mA typ. 0.1 μ A at 25 °C
No-load supply current	I_0	≤ 15 mA
Indication of the switching state		LED, yellow

Ambient conditions

Ambient temperature	-25 ... 70 °C (-13 ... 158 °F)
---------------------	--------------------------------

Mechanical specifications

Connection type	cable PVC, 2 m
Core cross-section	0.34 mm ²
Housing material	PBT-GF20, Crastin SK 643 FR
Sensing face	PBT-GF20, Crastin SK 643 FR
Protection degree	IP67

Compliance with standards and directives

Standard conformity	
Standards	EN 60947-5-2:2007 IEC 60947-5-2:2007

Approvals and certificates

UL approval	cULus Listed, General Purpose
CSA approval	cCSAus Listed, General Purpose
CCC approval	Products with a maximum operating voltage of ≤ 36 V do not bear a CCC marking because they do not require approval.