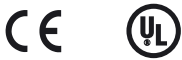
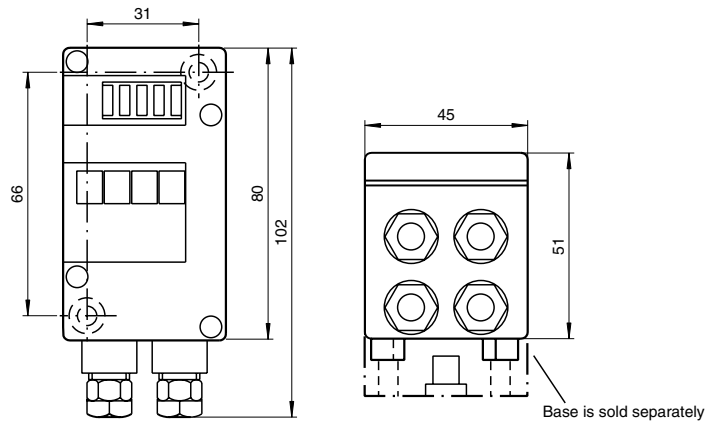




Dimensions



Model Number

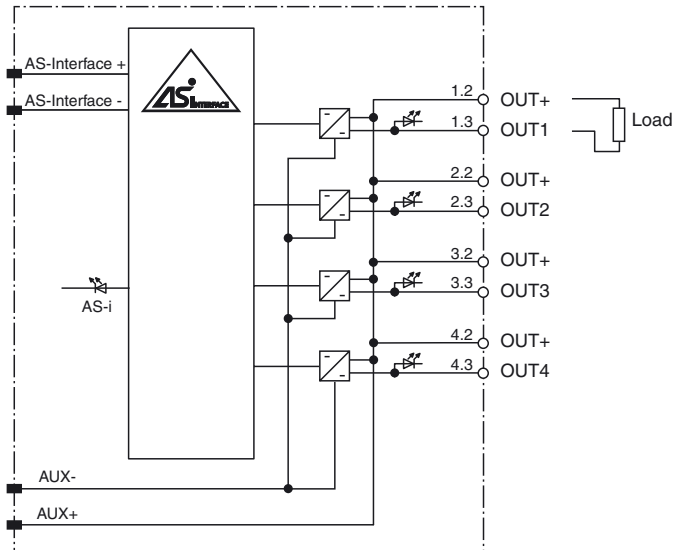
VAA-4A-G4-E0

G4 module IP67
4 electronic outputs (NPN)

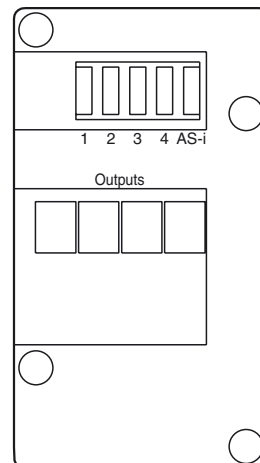
Features

- Protection degree IP67
- Cable piercing method for flat cable
- Flat or round cable connection (via standardised EEMS base, not included in the delivery package)
- Communication monitoring, turn-off
- Power supply of outputs from the external auxiliary voltage
- Function display for bus and outputs

Electrical connection



Indicating / Operating means



Release date: 2007-03-27 15:31 Date of issue: 2007-03-27 052425_ENG.xml

Technical data**General specifications**

Slave type	Standard slave
UL File Number	E87056

Indicators/operating means

LED AS-i	AS-Interface voltage; LED green
LED OUT	switching state (output); 4 LED yellow

Electrical specifications

Auxiliary voltage (output)	U_{AUX}	24 V DC \pm 15 % PELV
Protection class		III
Rated operational voltage	U_e	26.5 ... 31.6 V from AS-Interface
Rated operational current	I_e	\leq 60 mA

Output

Number/Type	4 electronic outputs, NPN
Supply	from external auxiliary voltage U_{AUX}
Current	1.5 A per output, 4 A total
Voltage	$\geq (U_{AUX} - 0,5 V)$

Programming instructions

Profile	S-8.F
IO code	8
ID code	F

Data bits (function via AS-Interface)	input	output
D0	-	OUT1
D1	-	OUT2
D2	-	OUT3
D3	-	OUT4

Parameter bits (programmable via AS-i) function

P0	communication monitoring P0 = 1 (basic setting), monitoring = ON, i.e. if communication fails, the outputs are de-energised P0 = 0, monitoring = OFF, if communication fails, the outputs maintain their condition
P1	not used
P2	not used
P3	not used

Ambient conditions

Ambient temperature	-25 ... 60 °C (248 ... 333 K)
Storage temperature	-25 ... 85 °C (248 ... 358 K)

Mechanical specifications

Protection degree	IP67 according to EN 60529
Connection	cable piercing method or terminal compartment flat cable yellow/flat cable black or standard round cable outputs: PG7 screwed connection and cage clamp terminals
Mass	180 g
Mounting	DIN rail or screw mounting

Function

The VAA-4A-G4-E0 AS-Interface coupling module is a G4 module with 4 outputs. The sourcing outputs can be operated with a maximum of 24 V DC and 1.5 A per output (total load \leq 4 A).

The IP67 rated G4 module is especially suitable for rough conditions. Actuators attach to cable glands and cage tension spring terminals thus making the installation especially user-friendly. For pre-addressing the module it can be plugged directly onto the adapter of the hand-held programming device VBP-HH1.

The current switching state of each channel is indicated by an LED, located on the module's top side. In the case of communication errors on the bus, the outputs are de-energised via an integrated watchdog.

Both flat and round cables can be used for the AS-Interface transmission line and the external 24 V DC power supply. Use the U-G1FF base for the AS-Interface flat cable. The AS-Interface standardised EEMS interface, uses the cable piercing method to connect both the yellow and black flat cables.

Use the U-G1PP base for the round cable. The AS-Interface cable as well as the external power supply can be connected within the U-G1PP base.

Accessories

VBP-HH1
AS-Interface handheld

VAZ-G4-B
Blind plug

Matching system components

U-G1FF
AS-Interface module mounting base

U-G1FFA
AS-Interface module mounting base

U-G1PP
AS-Interface module mounting base