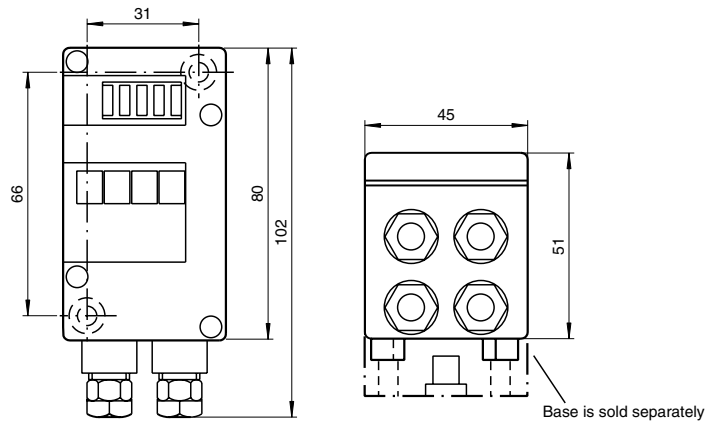
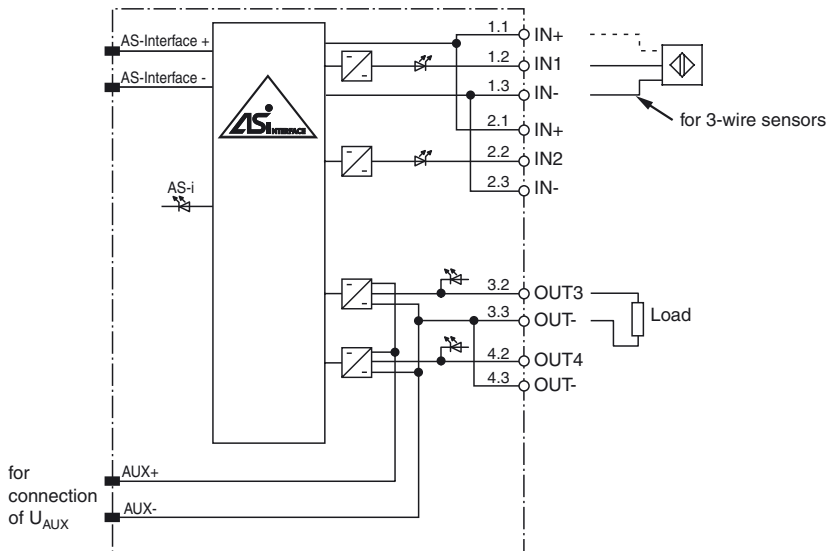




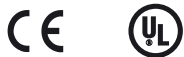
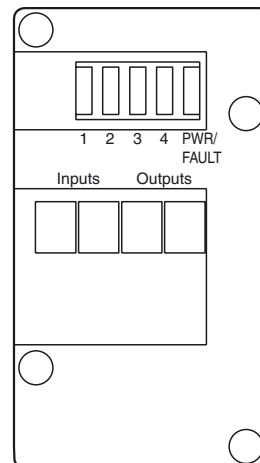
Dimensions



Electrical connection



Indicating / Operating means



Model Number

VAA-2EA-G4-ZE0/E0

G4 PG module IP67
2 inputs (NPN) and 2 electronic outputs

Features

- AS-Interface certificate
- Protection degree IP67
- Flat or round cable connection (via standardised EEMS base, not included in the delivery package)
- Cable piercing method or terminal compartment
flat cable yellow/flat cable black or standard round cable
inputs: PG7 screwed connection and cage-clamp terminals
- Communication monitoring, turn-off
- Power supply of outputs from the external auxiliary voltage
- Power supply of inputs from the module
- Function display for bus, inputs and outputs
- Monitoring of sensor overloads

Release date: 2007-03-27 15:32 Date of issue: 2007-03-27 052423_ENG.xml

Technical data

General specifications

Slave type	Standard slave
------------	----------------

Indicators/operating means

LED AS-i	dual LED green/red green: AS-Interface voltage red: communication error or address 0 green/red flashing: overload sensor supply
LED IN	switching state (input); 2 LED yellow
LED OUT	switching state (output); 2 LED yellow

Electrical specifications

Auxiliary voltage (output)	U_{AUX}	24 V DC \pm 15 % PELV
Protection class		III
Rated operational voltage	U_e	26.5 ... 31.6 V from AS-Interface
Rated operational current	I_e	\leq 60 mA (without sensors) / max. 240 mA

Input

Number/Type	2 inputs for 2- or 3-wire sensors (NPN), DC
Supply	from AS-Interface
Voltage	21 ... 31 V
Current loading capacity	\leq 180 mA ($T_B \leq 40$ °C), \leq 140 mA ($T_B \leq 60$ °C), short-circuit proof
Input current	\leq 8 mA (limited internally)
Switching point	
0 (unattenuated)	\leq 1.5 mA
1 (attenuated)	\geq 4.5 mA

Output

Number/Type	2 electronic outputs, NPN
Supply	from external auxiliary voltage U_{AUX}
Current	1.5 A per output
Voltage	\geq ($U_{AUX} - 0,5$ V)

Programming instructions

Profile	S-3.F
IO code	3
ID code	F

Data bits (function via AS-Interface)	input	output
D0	IN1	-
D1	IN2	-
D2	-	OUT3
D3	-	OUT4

Parameter bits (programmable via AS-i) function

P0	communication monitoring P0 = 1 (basic setting), monitoring = ON, i.e. if communication fails, the outputs are de-energised P0 = 0, monitoring = OFF, if communication fails, the outputs maintain their condition
P1	not used
P2	not used
P3	not used

Ambient conditions

Ambient temperature	-25 ... 60 °C (248 ... 333 K)
Storage temperature	-25 ... 85 °C (248 ... 358 K)

Mechanical specifications

Protection degree	IP67 according to EN 60529
Connection	cable piercing method or terminal compartment flat cable yellow/flat cable black or standard round cable inputs/outputs: PG7 screwed connection and cage clamp terminals
Mass	180 g
Mounting	DIN rail or screw mounting

Function

The VAA-2EA-G4-ZE0/E0 is an AS-Interface coupling module with two inputs and two outputs. Mechanical contacts and 2- and 3-wire sensors can be connected to the inputs. The sensors are supplied via the module. The outputs are electronic outputs, which can be loaded to 24 V DC and 1.5 A per output.

The G4 module in IP67 is especially suitable for rough conditions. The connection to sensors and actuators is established via cable glands and cage tension spring terminals thus making the installation especially user-friendly. For pre-addressing the module, it can be directly plugged onto the adapter of the VBP-HH1 hand held programming device.

An LED is provided for each channel, on the top of the module, to indicate the current switching status. In the case of communication errors on the bus, the outputs are de-energised via an integrated communication control, which can be disabled by the P0 parameter bit.

The AS-Interface transmission cable and the external 24 V DC supply can be connected through flat cables or round cables. Use the U-G1FF base for the AS-Interface flat cable. The connection to both cables is established using the AS-Interface standardised EEMS interface, i. e. the cable piercing method.

Use the U-G1PP base for a round cable. The AS-Interface cable as well as the external power supply may be connected within the U-G1PP base.

Accessories

VBP-HH1
AS-Interface handheld

VAZ-G4-B
Blind plug

Matching system components

U-G1FF
AS-Interface module mounting base

U-G1FFA
AS-Interface module mounting base

U-G1PP
AS-Interface module mounting base