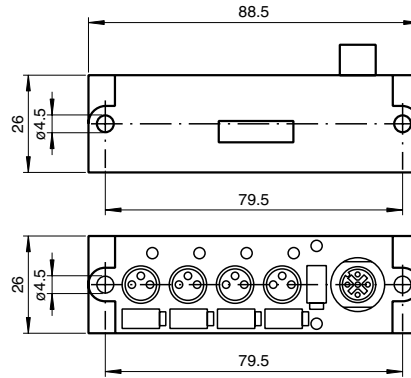
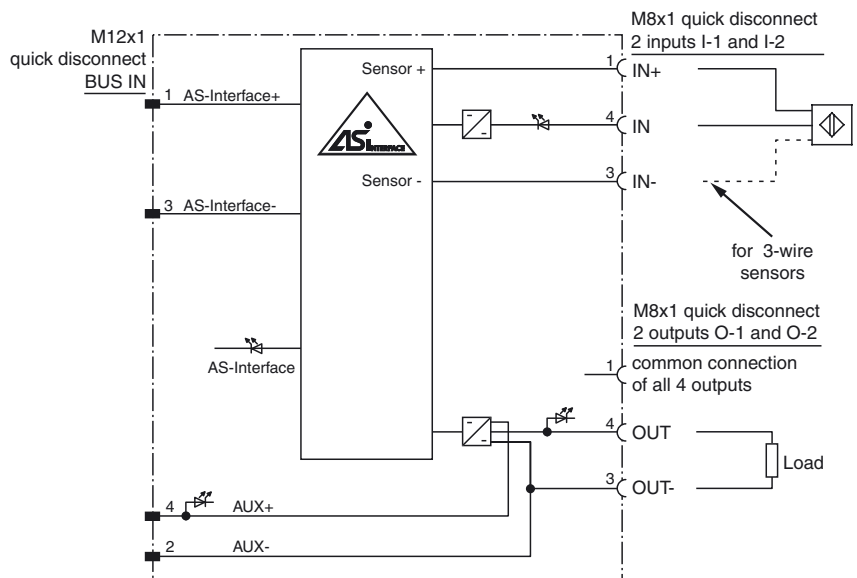




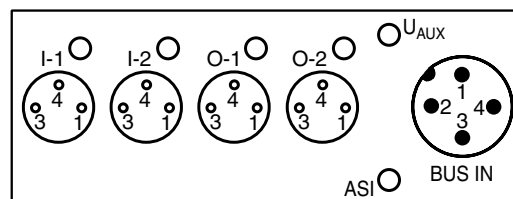
Dimensions



Electrical connection



Indicating / Operating means



Model Number

VAA-2EA-G6-ZE/E2

G6 compact module  
2 inputs (PNP) and 2 electronic outputs

Features

- AS-Interface certificate
- Compact design, can be mounted in any position
- Protection degree IP67
- Connections via round connector
- Inputs for 2- and 3-wire sensors
- Power supply of outputs from the external auxiliary voltage
- Power supply of inputs from the module
- Function display for bus, ext. auxiliary voltage, inputs and outputs

## Technical data

## General specifications

Slave type	Standard slave
AS-Interface specification	V2.0
Required master specification	≥ V2.0
UL File Number	E87056

## Indicators/operating means

LED U <sub>AUX</sub>	ext. auxiliary voltage U <sub>AUX</sub> ; LED green
LED AS-i	AS-Interface voltage; LED green
LED IN	switching state (input); 2 LED yellow
LED OUT	switching state (output); 2 LED yellow

## Electrical specifications

Auxiliary voltage (output)	U <sub>AUX</sub>	24 V DC ± 15 % PELV
Protection class		III
Rated operational voltage	U <sub>e</sub>	26.5 ... 31.6 V from AS-Interface
Rated operational current	I <sub>e</sub>	≤ 40 mA (without sensors) / max. 240 mA

## Input

Number/Type	2 inputs for 2- or 3-wire sensors (PNP), DC
Supply	from AS-Interface
Voltage	21 ... 31 V
Current loading capacity	≤ 200 mA (T <sub>B</sub> ≤ 40 °C), ≤ 150 mA (T <sub>B</sub> ≤ 60 °C), short-circuit protected
Input current	≤ 8 mA (limited internally)
Switching point	
0 (unattenuated)	≤ 1.5 mA
1 (attenuated)	≥ 4.5 mA

## Output

Number/Type	2 electronic outputs, PNP
Supply	from external auxiliary voltage U <sub>AUX</sub>
Current	0.5 A per output, 1 A total (T <sub>B</sub> ≤ 40 °C), 0.4 A per output, 0.8 A total (T <sub>B</sub> ≤ 60 °C)
Voltage	≥ (U <sub>AUX</sub> - 0.5 V)

## Programming instructions

Profile	S-3.0
IO code	3
ID code	0

Data bits (function via AS-Interface)	input	output
D0	IN1	-
D1	IN2	-
D2	-	OUT1
D3	-	OUT2

## Parameter bits (programmable via AS-i) function

P0	not used
P1	not used
P2	not used
P3	not used

## Ambient conditions

Ambient temperature	-20 ... 60 °C (253 ... 333 K)
Storage temperature	-20 ... 85 °C (253 ... 358 K)

## Mechanical specifications

Protection degree	IP67
Connection	AS-Interface and auxiliary voltage: M12 x 1 round connector sensors/actuators: M8 x 1 round connector
Mounting	screw mounting

## Compliance with standards and directives

Directive conformity	observe notices on the certificate of conformity.
Standard conformity	
Interference rejection	EN 61000-6-2:2001
Emitted interference	EN 61000-6-4:2001
AS-Interface	EN 50295:1999-10
Input	EN 61131-2
Protection degree	EN 60529

## Function

The VAA-2EA-G6-ZE/E2 is an AS-Interface compact module with 2 inputs and 2 outputs. Mechanical contacts and 2- and 3-wire sensors can be connected to the inputs. Sourcing outputs can be loaded to 24 V DC and 0.5 A per output.

Its particularly flat and narrow design makes the IP67 compact module particularly suitable for applications in handling machines, robots etc. To achieve this protection class, it features completely encapsulated electronics. This module has the further advantage that it may be mounted in any position.

The connection to the AS-Interface cable and the external power supply is established via an M12 x 1 quick disconnect. Please refer to the technical data for the pin-assignments. An advantage of the connection is that a separate base is not required. Address configuration can also be carried out using a standard cable with M12 x 1 quick disconnects.

The connection to the sensors/actuators is established via M8 x 1 quick disconnects. An LED is provided for each channel, on the top of the module, to indicate the current switching status. The voltages of the AS-Interface and of the external power supply are also indicated by an LED each.

## Accessories

**VBP-HH1**  
AS-Interface handheld

**VAZ-2T5-G2**  
AS-Interface splitter box

**VAZ-2T1-FK-1M-PUR-V1-W**  
AS-Interface splitter box