



CE

Model Number

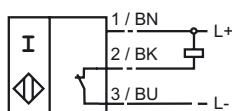
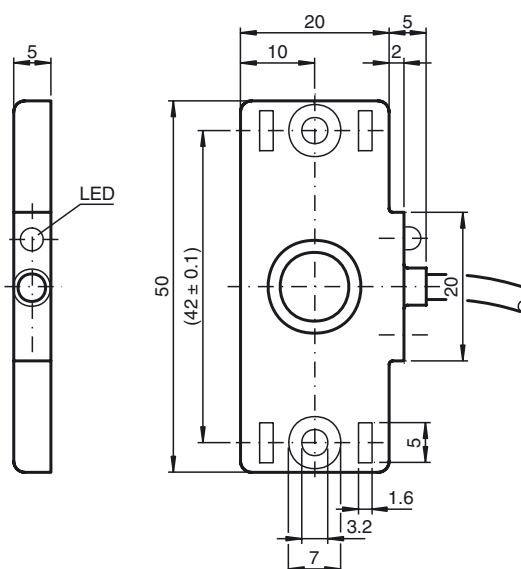
CBN10-F46-E1

Features

- Flat housing
- 10 mm non-flush
- Mounting slots for cable ties

Connection

E1

**Dimensions****Technical Data****General specifications**

Switching element function		NPN	NC
Rated operating distance	s_n	10 mm	
Installation		non-flush	
Output polarity		DC	
Assured operating distance	s_a	0 ... 7 mm	

Nominal ratings

Operating voltage	U_B	10 ... 30 V
Switching frequency	f	0 ... 5 Hz
Hysteresis	H	1 ... 10 typ. 5 %
Reverse polarity protected		reverse polarity protected
Short-circuit protection		pulsing
Voltage drop	U_d	≤ 2 V
Operating current	I_L	0 ... 100 mA
Lowest operating current	I_m	0 mA
Off-state current	I_r	0 ... 0.5 mA typ. 0.01 mA
No-load supply current	I_0	≤ 15 mA
Indication of the switching state		LED, yellow

Standard conformity

EMC in accordance with	IEC / EN 60947-5-2:1999
Standards	IEC / EN 60947-5-2:1999

Ambient conditions

Ambient temperature	-25 ... 70 °C (-13 ... 158 °F)
Storage temperature	-40 ... 85 °C (-40 ... 185 °F)

Mechanical specifications

Core cross-section	0.14 mm ²
Housing material	PBT
Sensing face	PBT
Protection degree	IP67