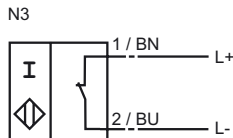




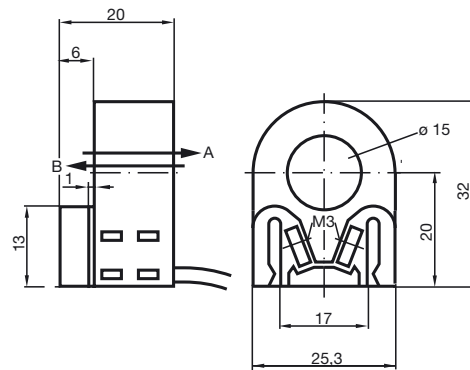
### Model Number

RC15-14-N3-Y51659

### Connection



## Dimensions



## Technical Data

### General specifications

Switching element function

Installation

Inside diameter 15 mm

Measuring cylinder

Diameter 2.5 mm

Length 3 mm

Measuring cone 6 mm

Passage speed  $v$  &les 10 m/s

### Nominal ratings

Nominal voltage  $U_o$  8 V

Operating voltage  $U_B$  5 ... 25 V

Hysteresis  $H$  typ. 1 %

Reverse polarity protected reverse polarity protected

Current consumption

Passage B  $U_B=8V$   $\geq 3$  mA

Passage B  $U_B=10V$   $\geq 4.2$  mA

Passage A  $U_B=10V$  0.5 ... 1 mA typ. 0.9 mA

Passage A  $U_B=8V$  0.5 ... 0.95 mA typ. 0.8 mA

### Standard conformity

EMC in accordance with IEC / EN 60947-5-2:2004

Standards DIN EN 60947-5-6 (NAMUR)

### Ambient conditions

Ambient temperature -25 ... 75 °C (-13 ... 167 °F)

Storage temperature -40 ... 100 °C (-40 ... 212 °F)

### Mechanical specifications

Core cross-section 0.14 mm<sup>2</sup>

Housing material PBT

Protection degree IP67

**ATEX**

Data for Ex areas

Effective internal inductivity	$C_i$	$\leq 90$ nF
Effective internal inductance	$L_i$	$\leq 70$ $\mu$ H

Release date: 2012-05-04 09:21 Date of issue: 2012-05-04 051659\_eng.xml