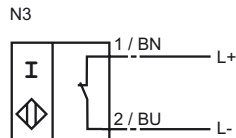




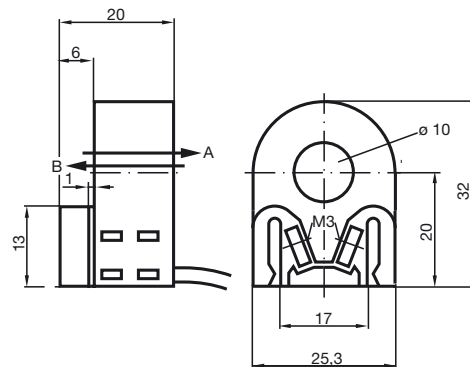
Model Number

RC10-14-N3-Y51657

Connection



Dimensions



Technical Data

General specifications

Switching element function

Installation

Inside diameter 10 mm

Measuring cylinder

Diameter 2.5 mm

Length 3 mm

Measuring cone 4 mm

Passage speed v &les 10 m/s

Nominal ratings

Nominal voltage U_o 8 V

Operating voltage U_B 5 ... 25 V

Hysteresis H typ. 1 %

Reverse polarity protected reverse polarity protected

Current consumption

Passage B $U_B=8V$ ≥ 3 mA

Passage B $U_B=10V$ ≥ 4.2 mA

Passage A $U_B=10V$ 0.5 ... 1 mA typ. 0.9 mA

Passage A $U_B=8V$ 0.5 ... 0.95 mA typ. 0.8 mA

Standard conformity

EMC in accordance with IEC / EN 60947-5-2:2004

Standards DIN EN 60947-5-6 (NAMUR)

Ambient conditions

Ambient temperature -25 ... 100 °C (-13 ... 212 °F)

Storage temperature -40 ... 100 °C (-40 ... 212 °F)

Mechanical specifications

Core cross-section 0.14 mm²

Housing material PBT

Protection degree IP67



ATEX

Data for Ex areas

Effective internal inductivity	C_i	$\leq 90 \text{ nF}$
Effective internal inductance	L_i	$\leq 120 \mu\text{H}$

Release date: 2012-05-04 09:27 Date of issue: 2012-05-04 051657_eng.xml