



Model Number

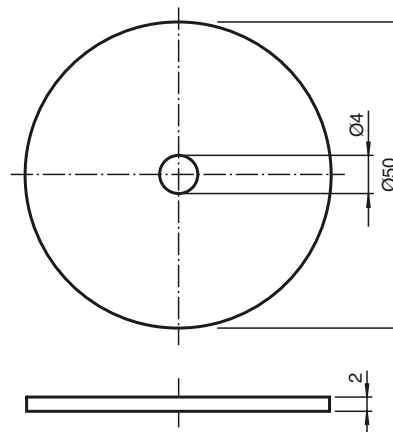
IPC02-50W

Code carrier

Features

- Battery-free code carrier
- 40 bit fix code
- Readable from both sides
- Protection degree IP67
- Mounting holes for simple installation

Dimensions



Technical data

General specifications

Operating frequency	125 kHz
Transfer rate	2 kBit/s
Distance	distance tables, see introduction

Memory

Type/Size	ROM 64 Bit (40 Bit code, 24 bit data security)
Read cycles	unlimited

Ambient conditions

Ambient temperature	-25 ... 70 °C (-13 ... 158 °F)
Storage temperature	-40 ... 90 °C (-40 ... 194 °F)

Mechanical specifications

Protection degree	IP67 according to EN 60529
Material	
Housing	PC

Notes

The Code carrier can be read from both sides.