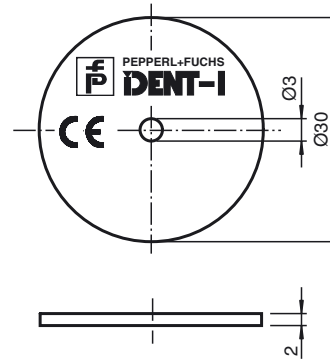




Dimensions



Model number

IPC02-30W

Code carrier

Features

- Battery-free code carrier
- 40 bit fixcode
- Readable from both sides
- Protection degree IP67
- Mounting holes for simple installation

Technical data

General specifications

Operating frequency	125 kHz
Transfer rate	2 kBit/s
Distance	distance tables, see introduction

Memory

Type/Size	ROM 64 Bit (40 Bit code, 24 bit data security)
Read cycles	unlimited

Ambient conditions

Ambient temperature	-25 ... 70 °C (248 ... 343 K)
Storage temperature	-40 ... 90 °C (233 ... 363 K)

Mechanical specifications

Protection degree	IP67 according to EN 60529
Material	
Housing	PC

Notes

The Code carrier can be read from both sides.