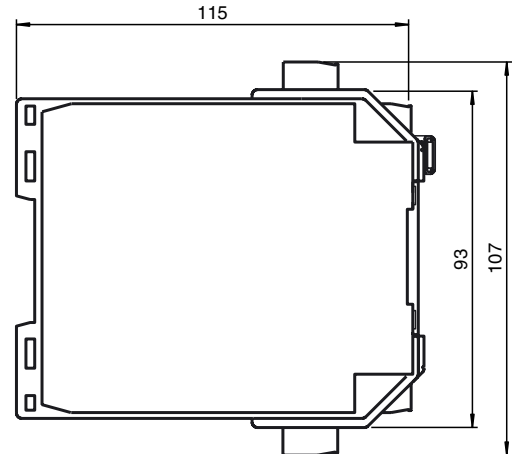
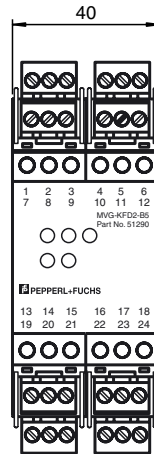




Dimensions



Model number

MVG-KFD2-B5

Bus coupler for INTERBUS

Features

- Complete read/write functionality via the INTERBUS
- Transmission of 2 words, 16 bit each, in one cycle
- Connection of fieldbus and serial interface by means of removable terminals
- 4 LEDs as indicators for the connection identification system
- 1 LED for the field bus connection; bus wires "IN" galvanically isolated from the device supply

Function

The bus coupler acts as a coupling module in the KF-housing via which the identification system IDENT-M System V can be connected to the INTERBUS. For this purpose, the serial interface (RS 422 / RS 485) of the bus coupler is connected to the control interface unit of the identification system and the field bus connection is connected to the INTERBUS.

The identification system is operated as a slave on the INTERBUS via the bus coupler and provides full read/write functionality.

Four, 16-bit words are occupied in the process data channel. The parameter channel is not used. A maximum of 2 words, each 16 bits, can be transmitted as user data per cycle.

Matching system components

MVI-D2-2HRX

Control interface unit

Technical data

General specifications

Installation
Series

Indicators/operating means

Rotary switch ring termination
0 = closed
1 = bus continued

Electrical specifications

Rated operational voltage U_e 18 ... 35 V DC , ripple 10 %_{SS} , PELV
Current consumption < 180 mA / 24 V DC
No-load supply current I_0 ≤ 110 mA

Interface 1

Connection of identification system
Physical RS 422 / RS 485
Protocol ASCII

Interface 2

Protocol INTERBUS

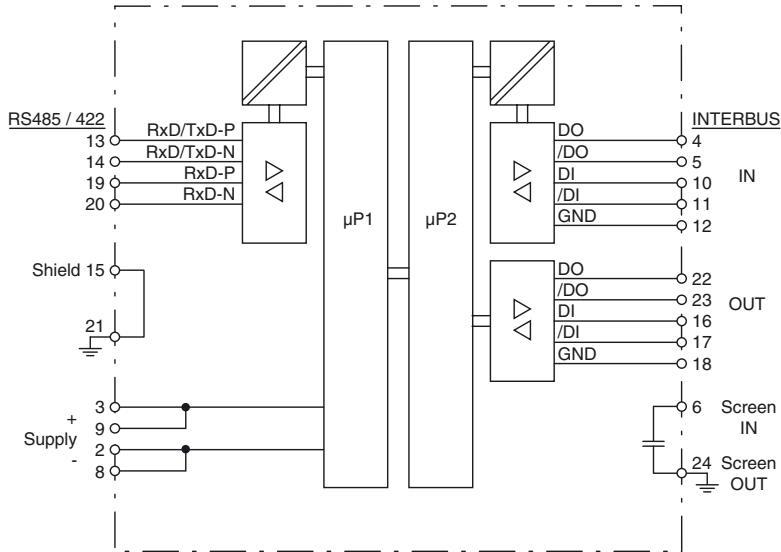
Ambient conditions

Ambient temperature -25 ... 70 °C (248 ... 343 K)
Storage temperature -25 ... 85 °C (248 ... 358 K)
Climatic conditions air humidity max. 75 %

Mechanical specifications

Protection degree IP20 according to EN 60529
Connection removable self-opening instrument terminals, max. conductor csa 2 x 2.5 mm²
Material
Housing Makrolon 6485
Construction type K-system, 40 mm (2 TE)

Electrical connection



Indicating/operating means

