



Model Number

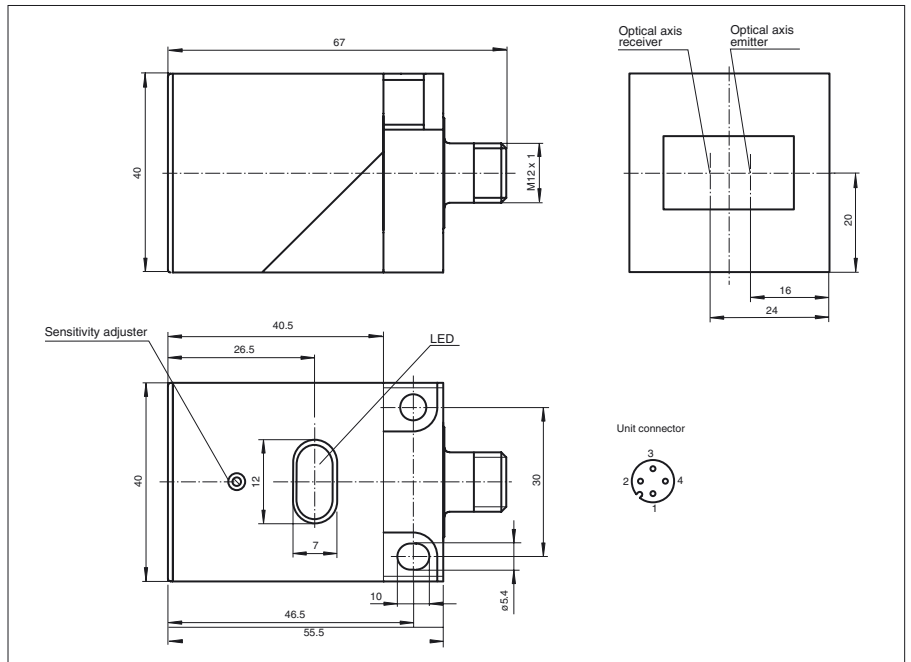
OBS6000-L2-E4-V1

Retroreflective sensor
with 4-pin, M12 x 1 connector

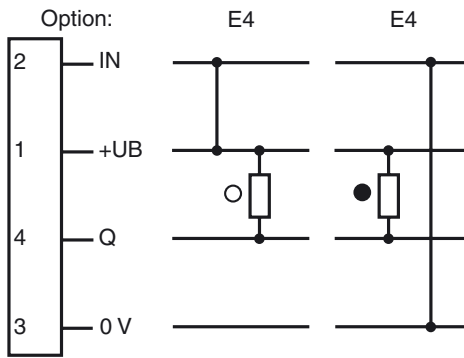
Features

- Glare protected with polarization filter
- Visible red light
- Positioning of the sensor head is possible in two planes
- Multitude of mounting possibilities
- Mounting only with one tool: the screwdriver
- Light/dark ON, programmable

Dimensions



Electrical connection



○ = Light on
● = Dark on

Release date: 2007-06-19 16:44 Date of issue: 2011-01-26 051067_ENG.xml

Subject to modifications without notice

Pepperl+Fuchs Group
www.pepperl-fuchs.com

USA: +1 330 486 0001
fa-info@us.pepperl-fuchs.com

Germany: +49 621 776-4411
fa-info@pepperl-fuchs.com

Copyright Pepperl+Fuchs

Singapore: +65 6779 9091
fa-info@sg.pepperl-fuchs.com

Technical data**General specifications**

| | |
|---------------------------|-----------------------------|
| Effective detection range | 0 ... 6000 mm |
| Reflector distance | 600 ... 6000 mm |
| Threshold detection range | 9 m (with H85 reflector) |
| Light source | LED |
| Light type | modulated visible red light |
| Approvals | CE |
| Ambient light limit | 15000 Lux |

Indicators/operating means

| | |
|------------------|--|
| Function display | LED yellow: switching state LED red: pre-fault indication |
| Controls | sensitivity adjustment |

Electrical specifications

| | | |
|------------------------|-------|----------------|
| Operating voltage | U_B | 10 ... 30 V DC |
| Ripple | | 10 % |
| No-load supply current | I_0 | ≤ 20 mA |

Input

| | |
|---------------|------------------------------|
| Control input | light on +UB dark on: 0 V |
|---------------|------------------------------|

Output

| | | |
|---------------------|---|---------------|
| Switching type | light/dark on | |
| Signal output | 1 NPN output, short-circuit protected, reverse polarity protected, open collector | |
| Switching voltage | max. 30 V DC | |
| Switching current | max. 250 mA | |
| Voltage drop | U_d | ≤ 1.5 V |
| Switching frequency | f | ≤ 200 Hz |
| Response time | | ≤ 2.5 ms |

Standard conformity

| | |
|-----------|--------------|
| Standards | EN 60947-5-2 |
|-----------|--------------|

Ambient conditions

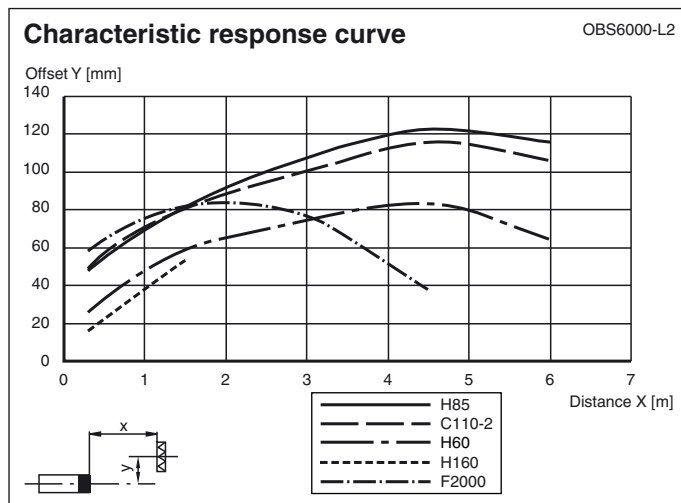
| | |
|---------------------|--------------------------------|
| Ambient temperature | -25 ... 70 °C (-13 ... 158 °F) |
| Storage temperature | -40 ... 80 °C (-40 ... 176 °F) |

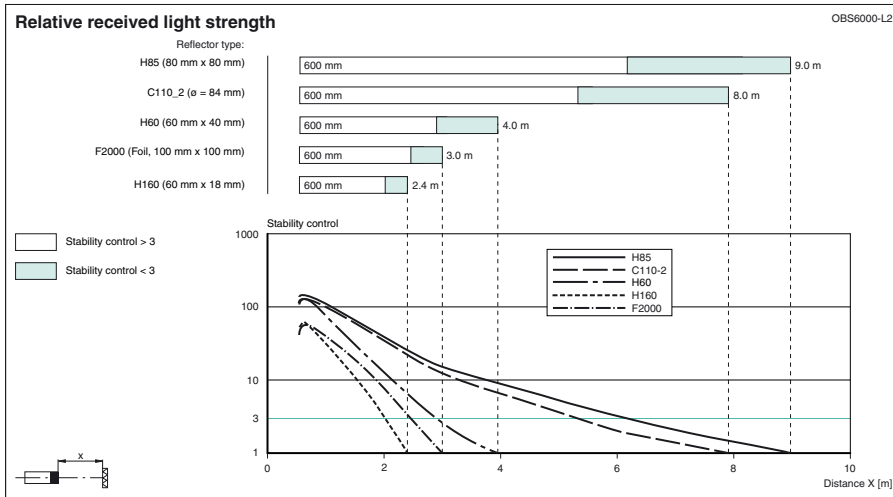
Mechanical specifications

| | |
|-------------------|--------------------------------|
| Protection degree | IP67 |
| Connection | connector M12 x 1, 4-pin |
| Material | |
| Housing | PBT |
| Optical face | scratch resistant plastic lens |
| Mass | 60 g |

Approvals and certificates

| | |
|--------------|--|
| CCC approval | Products with a maximum operating voltage of ≤ 36 V do not bear a CCC marking because they do not require approval. |
|--------------|--|

Curves/Diagrams



Release date: 2007-06-19 16:44 Date of issue: 2011-01-26 051067_ENG.xml