



Model Number

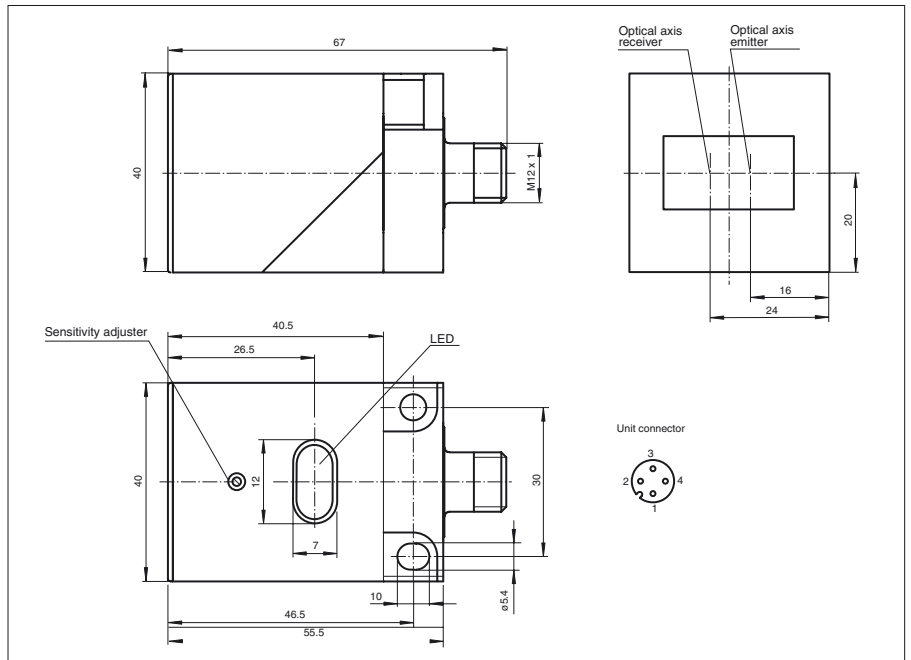
OBT400-L2-E4-V1

Diffuse mode sensor
with 4-pin, M12 connector

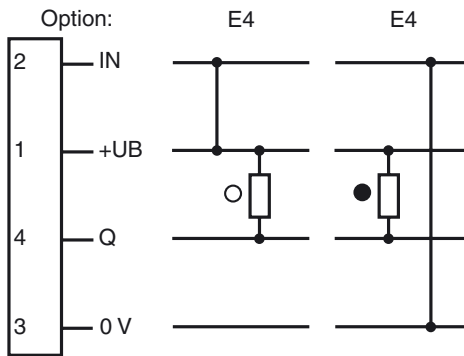
Features

- Pre-fault indication
- Visible red light
- Positioning of the sensor head is possible in two planes
- Protection degree IP67
- Mounting only with one tool: the screwdriver
- Light/dark ON, programmable

Dimensions



Electrical connection



○ = Light on
● = Dark on

Release date: 2007-06-19 16:44 Date of issue: 2011-01-26 051065_ENG.xml

Subject to modifications without notice

Pepperl+Fuchs Group
www.pepperl-fuchs.com

USA: +1 330 486 0001
fa-info@us.pepperl-fuchs.com

Germany: +49 621 776-4411
fa-info@pepperl-fuchs.com

Copyright Pepperl+Fuchs
Singapore: +65 6779 9091
fa-info@sg.pepperl-fuchs.com

Technical data

General specifications

Detection range	0 ... 400 mm
Detection range min.	0 ... 50 mm
Detection range max.	0 ... 400 mm
Reference target	standard white 200 mm x 200 mm
Light source	LED
Light type	modulated visible red light
Approvals	CE
Ambient light limit	15000 Lux

Indicators/operating means

Function display	LED yellow: switching state LED red: pre-fault indication
Controls	sensitivity adjustment

Electrical specifications

Operating voltage	U_B	10 ... 30 V DC
Ripple		10 %
No-load supply current	I_0	≤ 20 mA
Time delay before availability	t_v	≤ 20 ms

Output

Switching type	light/dark on	
Signal output	1 NPN output, short-circuit protected, reverse polarity protected, open collector	
Switching voltage	max. 30 V DC	
Switching current	max. 250 mA	
Switching frequency	f	≤ 200 Hz
Response time		≤ 2.5 ms

Standard conformity

Standards	EN 60947-5-2
-----------	--------------

Ambient conditions

Ambient temperature	-25 ... 70 °C (-13 ... 158 °F)
Storage temperature	-40 ... 80 °C (-40 ... 176 °F)

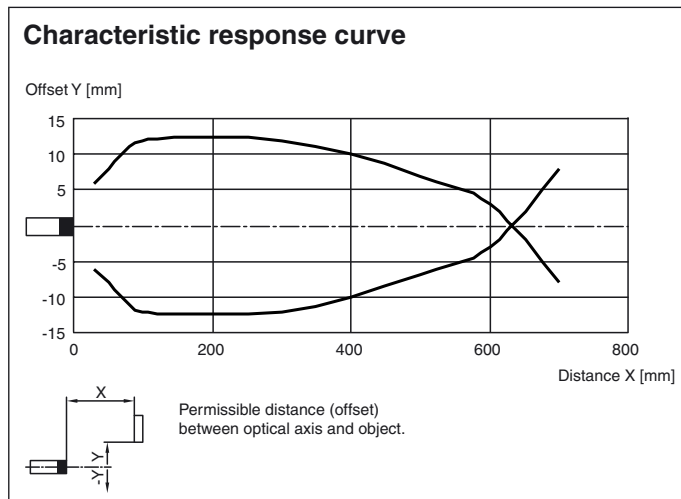
Mechanical specifications

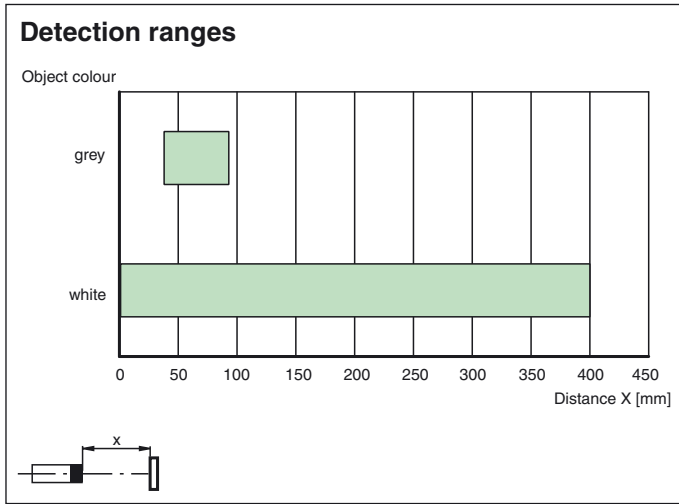
Protection degree	IP67
Connection	connector M12 x 1, 4-pin
Material	
Housing	PBT
Optical face	scratch resistant plastic lens
Mass	60 g

Approvals and certificates

CCC approval	Products with a maximum operating voltage of ≤36 V do not bear a CCC marking because they do not require approval.
--------------	--

Curves/Diagrams





Release date: 2007-06-19 16:44 Date of issue: 2011-01-26 051065_ENG.xml

Subject to modifications without notice

Pepperl+Fuchs Group
www.pepperl-fuchs.com

USA: +1 330 486 0001
fa-info@us.pepperl-fuchs.com

Germany: +49 621 776-4411
fa-info@pepperl-fuchs.com

Copyright Pepperl+Fuchs
Singapore: +65 6779 9091
fa-info@sg.pepperl-fuchs.com