



Model Number

IPH-HH6-R5

Read/write station

Features

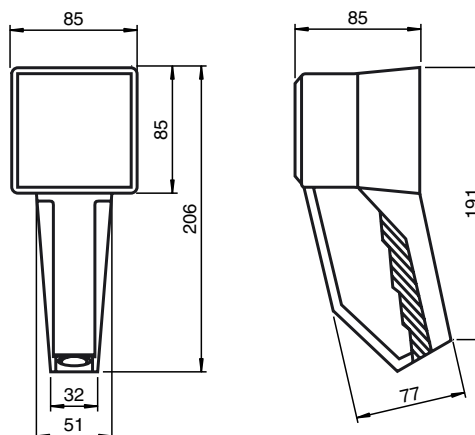
- With integrated control interface unit
- Read distance of up to 100 mm
- Writing distance up to 60 mm (2.4 in.)
- Dual-LED for function display
- Serial interface TTL

Function

The control interface unit is integrated in the read/write head. It is equipped with a TTL-interface and can be connected directly to a PSION-Workabout.

The read/write head receives the commands to read and/or write the code or data carriers via this interface.

Dimensions



Technical data

General specifications

Operating frequency	125 kHz
Sensing range	
Read distance	0 ... 100 mm
Write distance	0 ... 60 mm

Indicators/operating means

LED green/yellow	Power on / IPC detected
------------------	-------------------------

Electrical specifications

Rated operational voltage	U_e	4.8 ... 5.2 V DC
Power consumption	P_0	max. 1 W

Interface

Physical	TTL
Transfer rate	1200; 2400; 4800; 9600; 19200; 38400 Bit/s

Standard conformity

Electromagnetic compatibility	EN 61326
-------------------------------	----------

Ambient conditions

Ambient temperature	-25 ... 60 °C (-13 ... 140 °F)
Storage temperature	-40 ... 60 °C (-40 ... 140 °F)

Mechanical specifications

Protection degree	IP40 according to EN 60529
Connection	Coiled cable with Sub-D connector
Material	
Housing	PA