



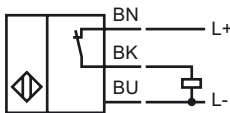
Model Number

NCB10-F17-E3

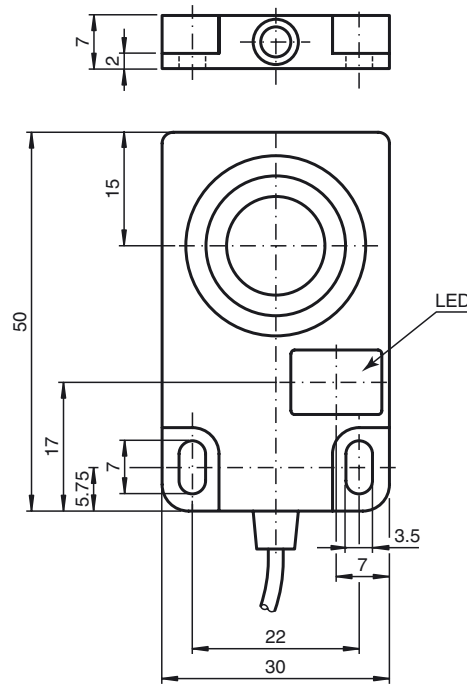
Features

- Comfort series
- 10 mm flush

Connection



Dimensions



Technical Data

General specifications

Switching element function		PNP	NC
Rated operating distance	s_n	10 mm	
Installation		flush	
Output polarity		DC	
Assured operating distance	s_a	0 ... 8.1 mm	
Reduction factor r_{AI}		0.4	
Reduction factor r_{Cu}		0.38	
Reduction factor r_{304}		0.7	

Nominal ratings

Operating voltage	U_B	10 ... 30 V
Switching frequency	f	0 ... 1000 Hz
Hysteresis	H	1 ... 10 typ. 6 %
Reverse polarity protected		reverse polarity protected
Short-circuit protection		pulsing
Voltage drop	U_d	≤ 2.8 V
Operating current	I_L	0 ... 100 mA
No-load supply current	I_0	
Indication of the switching state		LED, yellow

Functional safety related parameters

MTTF _d	1704 a
Mission Time (T_M)	20 a
Diagnostic Coverage (DC)	0 %

Ambient conditions

Ambient temperature	-25 ... 70 °C (-13 ... 158 °F)
---------------------	--------------------------------

Mechanical specifications

Connection type	cable PUR , 2 m
Core cross-section	0.14 mm ²
Cable diameter	3 mm
Housing material	PMMA
Sensing face	PMMA
Protection degree	IP67

Compliance with standards and directives

Standard conformity	
Standards	EN 60947-5-2:2007 IEC 60947-5-2:2007

Approvals and certificates

UL approval	cULus Listed, General Purpose
CSA approval	cCSAus Listed, General Purpose
CCC approval	Products with a maximum operating voltage of ≤ 36 V do not bear a CCC marking because they do not require approval.