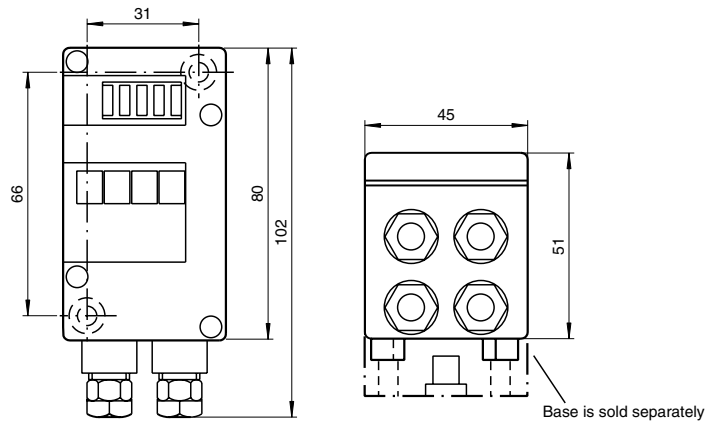
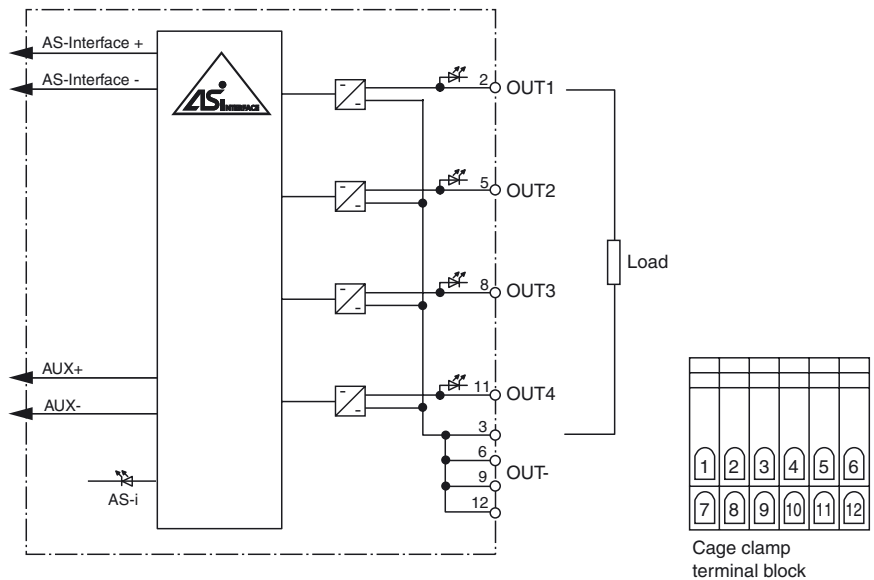




Dimensions



Electrical connection



Model Number

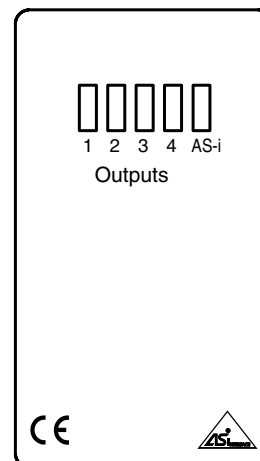
VAA-4A-G4-E2

G4 module IP67  
4 electronic outputs (PNP)

Features

- AS-Interface certificate
- Protection degree IP67
- Flat or round cable connection (via standardised EEMS base, not included in the delivery package)
- Cable piercing method for flat cable
- Communication monitoring, turn-off
- Power supply of outputs from the external auxiliary voltage
- Function display for bus and outputs

Indicating / Operating means



**Technical data****General specifications**

Slave type	Standard slave
UL File Number	E87056

**Indicators/operating means**

LED AS-i	AS-Interface voltage; LED green
LED OUT	switching state (output); 4 LED yellow

**Electrical specifications**

Auxiliary voltage (output)	$U_{AUX}$	24 V DC $\pm$ 15 % PELV
Protection class		III
Rated operational voltage	$U_e$	26.5 ... 31.6 V from AS-Interface
Rated operational current	$I_e$	$\leq$ 60 mA

**Output**

Number/Type	4 electronic outputs, PNP
Supply	from external auxiliary voltage $U_{AUX}$
Current	1.5 A per output, 4 A total
Voltage	$\geq (U_{AUX} - 0,5 \text{ V})$

**Programming instructions**

Profile	S-8.0
IO code	8
ID code	0

Data bits (function via AS-Interface)	input	output
D0	-	OUT1
D1	-	OUT2
D2	-	OUT3
D3	-	OUT4

**Parameter bits (programmable via AS-i) function**

P0	communication monitoring P0 = 1 (basic setting), monitoring = ON, i.e. if communication fails, the outputs are de-energised P0 = 0, monitoring = OFF, if communication fails, the outputs maintain their condition
P1	not used
P2	not used
P3	not used

**Ambient conditions**

Ambient temperature	-25 ... 60 °C (248 ... 333 K)
Storage temperature	-25 ... 85 °C (248 ... 358 K)

**Mechanical specifications**

Protection degree	IP67 according to EN 60529
Connection	Insulation penetration technique or terminal compartment Flat cable yellow/flat cable, black or standard round cable Outputs: Cable gland M12 x 1.5 and cage spring terminals
Mass	180 g
Mounting	DIN rail or screw mounting

**Function**

The VAA-4A-G4-E2 AS-Interface coupling module is a G4 module with 4 outputs. The sourcing outputs can be operated with a maximum of 24 V DC and 1.5 A per output (total load  $\leq$  4 A).

The IP67 rated G4 module is particularly suitable for rough conditions. Actuators attach to cable glands and cage-clamp terminals thus making the installation especially user-friendly. For pre-addressing the module it can be plugged directly onto the adapter of the hand-held programming device VBP-HH1.

The current switching state of each channel is indicated by LEDs located on the module's top side. In the case of communication errors on the bus, the outputs are de-energised via an integrated watchdog.

Both flat and round cables can be used for the AS-Interface transmission line and the external 24 V DC power supply. Use the U-G1FF base for the AS-Interface flat cable. The AS-Interface standardised EEMS interface, uses the cable piercing method to connect both the yellow and black flat cables. Use the U-G1PP base for the round cable. The AS-Interface cable as well as the external power supply may be connected within the U-G1PP base.

**Accessories**

**VBP-HH1**  
AS-Interface handheld

**VAZ-G4-B**  
Blind plug

**Matching system components**

**U-G1FF**  
AS-Interface module mounting base

**U-G1FFA**  
AS-Interface module mounting base

**U-G1PP**  
AS-Interface module mounting base