



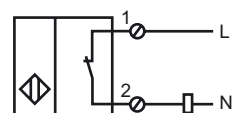
**Model Number**

NCN20+U4+U

**Features**

- Comfort series
- 20 mm non-flush
- 2-wire AC

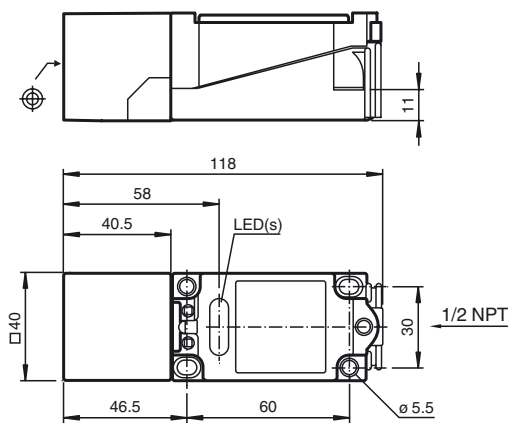
**Connection**



**Accessories**

- V1-W-2M-PUR**  
Cable socket, M12, 4-pin, PUR cable
- V1-G-2M-PUR**  
Cable socket, M12, 4-pin, PUR cable
- MHW 01**  
Modular mounting bracket
- V1-W**  
4-pin, M12 female field-attachable connector
- V1-M20-80**  
Receptacles, M12/M20; plastic version

**Dimensions**



**Technical Data**

General specifications		
Switching element function		AC/DC NO/NC
Rated operating distance	$s_n$	20 mm
Installation		non-flush
Assured operating distance	$s_a$	0 ... 16.2 mm
Reduction factor $r_{Al}$		0.37
Reduction factor $r_{Cu}$		0.35
Reduction factor $r_{304}$		0.79
Nominal ratings		
Operating voltage DC		20 ... 300 V
Operating voltage AC		20 ... 253 V
Switching frequency	$f$	0 ... 25 Hz
Hysteresis	$H$	typ. 3 %
Short-circuit protection		pulsing
Voltage drop	$U_d$	$\leq 4$ V
Momentary current (20 ms, 0.1 Hz)		0 ... 3000 mA
Operating current	$I_L$	5 ... 500 mA
Off-state current	$I_r$	0 ... 2.5 mA typ. 1.5 mA
Operating voltage display		LED, green
Indication of the switching state		LED, yellow
Ambient conditions		
Ambient temperature		-25 ... 70 °C (-13 ... 158 °F)
Mechanical specifications		
Connection type		screw terminals
Core cross-section		$\leq 2.5$ mm <sup>2</sup>
Housing material		PBT/metal
Sensing face		PBT
Protection degree		IP68
Compliance with standards and directives		
Standard conformity		
Standards		EN 60947-5-2:2007 IEC 60947-5-2:2007
Approvals and certificates		
UL approval		cULus Listed, General Purpose
CSA approval		cCSAus Listed, General Purpose
CCC approval		Certified by China Compulsory Certification (CCC)

Release date: 2012-06-20 07:53 Date of issue: 2012-06-20 049779\_eng.xml