



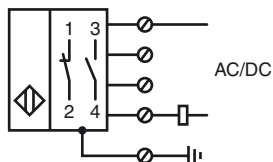
Model Number

NCB15+U4+U

Features

- **Comfort series**
- **15 mm flush**
- **2-wire AC/DC**

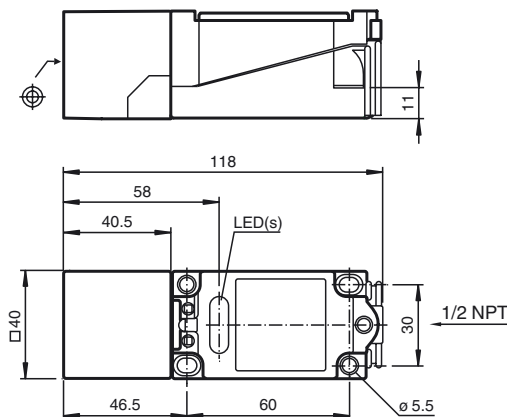
Connection



Accessories

- V1-M20-80**
Receptacles, M12/M20; plastic version
- MHW 01**
Modular mounting bracket
- V1-G-2M-PUR**
Cable socket, M12, 4-pin, PUR cable
- V1-W**
4-pin, M12 female field-attachable connector
- V1-W-2M-PUR**
Cable socket, M12, 4-pin, PUR cable

Dimensions



Technical Data

General specifications

Switching element function	AC/DC	NO/NC
Rated operating distance	s_n	15 mm
Installation		flush
Assured operating distance	s_a	0 ... 12.15 mm
Reduction factor r_{AI}		0.28
Reduction factor r_{Cu}		0.25
Reduction factor r_{304}		0.75

Nominal ratings

Operating voltage DC		20 ... 300 V
Operating voltage AC		20 ... 253 V
Switching frequency	f	0 ... 25 Hz
Hysteresis	H	typ. 3 %
Short-circuit protection		pulsing
Voltage drop	U_d	≤ 4 V
Momentary current (20 ms, 0.1 Hz)		0 ... 3000 mA
Operating current	I_L	5 ... 500 mA
Off-state current	I_r	0 ... 2.5 mA typ. 1.5 mA
Operating voltage display		LED, green
Indication of the switching state		LED, yellow

Ambient conditions

Ambient temperature		-25 ... 70 °C (-13 ... 158 °F)
---------------------	--	--------------------------------

Mechanical specifications

Connection type		screw terminals
Core cross-section		≤ 2.5 mm ²
Housing material		PBT/metal
Sensing face		PBT
Protection degree		IP68

Compliance with standards and directives

Standard conformity		
Standards		EN 60947-5-2:2007 IEC 60947-5-2:2007

Approvals and certificates

UL approval		cULus Listed, General Purpose
CSA approval		cCSAus Listed, General Purpose
CCC approval		Certified by China Compulsory Certification (CCC)

Release date: 2012-06-20 07:53 Date of issue: 2012-06-20 049778_eng.xml