

**Model Number**

IVH-FP3-Y49530

Read/write head

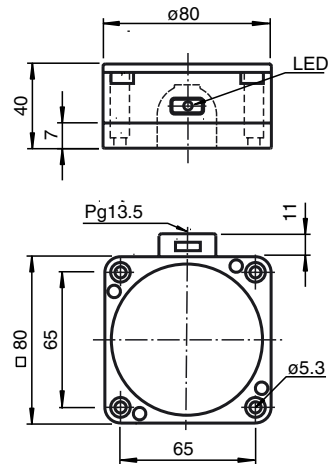
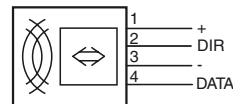
**Features**

- Connection via terminal compartment
- Dual-LED for function display
- Protection degree IP67

**Matching system components**

IVI-KHD2-4HRX-Y44980

Control interface unit

**Dimensions****Electrical connection****Technical data****General specifications**

|                     |            |
|---------------------|------------|
| Operating frequency | 250 kHz    |
| Transfer rate       | 7.8 kBit/s |

**Indicators/operating means**

|                  |  |
|------------------|--|
| LED green/yellow | green: Power on<br>yellow: Data carrier detected |
|------------------|--|

**Electrical specifications**

|                   |       |       |
|-------------------|-------|-------|
| Power consumption | $P_0$ | 1.3 W |
|-------------------|-------|-------|

**Ambient conditions**

|                     |                               |
|---------------------|-------------------------------|
| Ambient temperature | -25 ... 70 °C (248 ... 343 K) |
| Storage temperature | -40 ... 85 °C (233 ... 358 K) |

**Mechanical specifications**

|                            |   |
|----------------------------|---|
| Protection degree          | IP67 according to EN 60529                                  |
| Connection                 | terminal compartment, $\leq 2.5 \text{ mm}^2$ conductor csa |
| Material                   |   |
| Housing                    | PBT   |
| Lower section              | metal   |
| Installation               |   |
| In metal                   | not embeddable, overshoot at least 10 mm                    |
| Distance between two heads | $\geq 500 \text{ mm}$                                       |