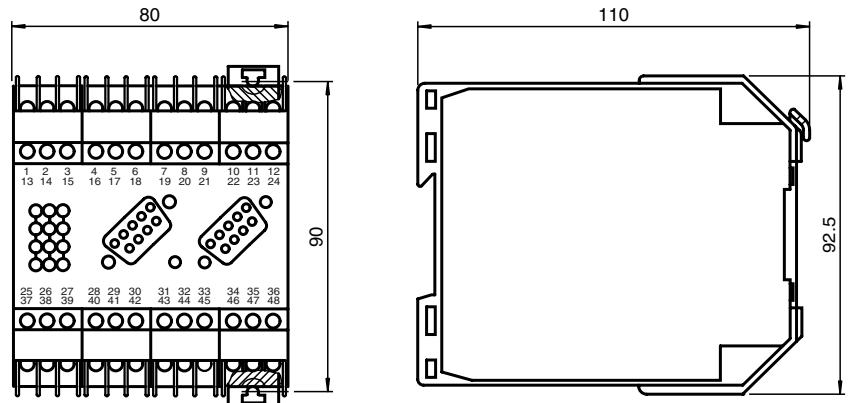




## Dimensions



## Model number

**IVI-KHA6-4HB5**

Control interface unit for INTERBUS

## Features

- INTERBUS-remote bus subscriber
- Complete read/write functionality via the INTERBUS
- 4 read/write heads connectable
- Transmission of 2 words, 16 bit each, in one cycle
- 3 LEDs as function indicators for each read/write head
- LED for power on / bus communication
- Simple commissioning possible with CMD-tools INTERBUS software

## Function

The control interface unit is operated as an INTERBUS remote bus subscriber. The control interface unit uses 8 bytes in the INTERBUS frame protocol; 4 words, each with 16 bits in both directions of communication. Of these, 2 words are available to the user for user data. Only the cyclically transmitted process data channel is used; the parameter channel is not used.

Up to 4 read heads can be connected to the control interface unit.

The subscriber description for the INTERBUS software CMD-tools is supplied, making it possible to easily insert the control interface unit into the CMD subscriber database.

## Software

The unit description for the commissioning software "IBS CMD G4" of the INTERBUS is included in the scope of delivery.

## Technical data

### General specifications

Number of read/write heads max. 4

### Indicators/operating means

LED green	read/write head active (4 LEDs, 1 per head)
LED yellow	Code / data carrier detected (4 LEDs, 1 per head)
LED red	reserved (4 LEDs, 1 per head)
LED red/green	device status permanent green: device operational / bus communication active red-green flashing: device operational / bus communication faulty permanent red: device errors
Rotary switch	ring termination 0 = closed 1 = bus continued

### Electrical specifications

Rated operational voltage	$U_e$	85 ... 253 V AC , 50 ... 60 Hz
Current consumption		50 mA
No-load supply current	$I_0$	50 mA
Power consumption	$P_0$	10 W

### Interface

Physical	RS 485
Protocol	INTERBUS remote bus
ID code	03

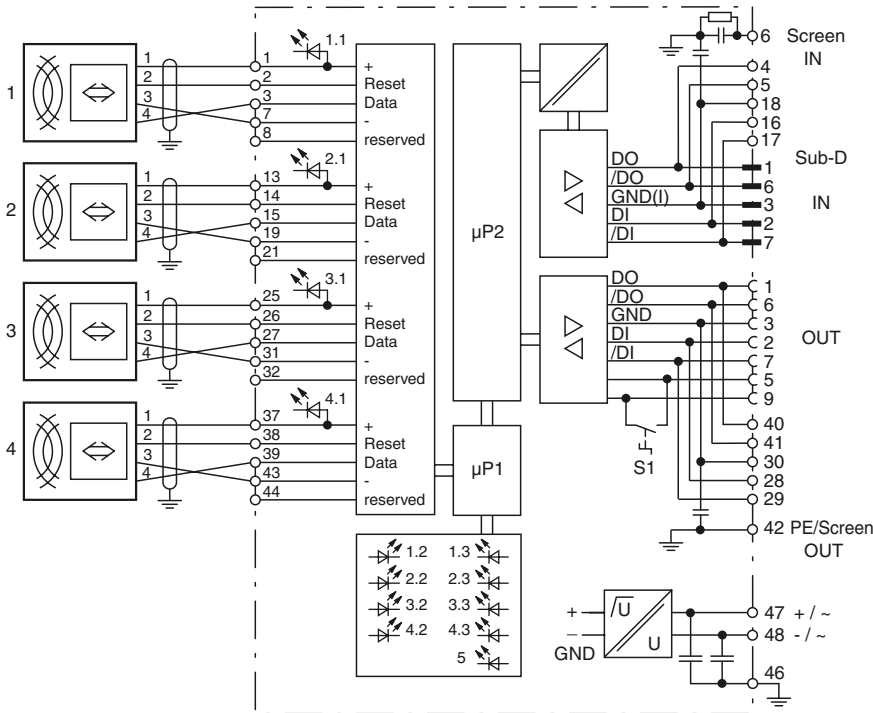
### Ambient conditions

Ambient temperature	-25 ... 70 °C (248 ... 343 K)
Storage temperature	-25 ... 85 °C (248 ... 358 K)
Climatic conditions	air humidity max. 75 %

### Mechanical specifications

Protection degree	IP20 according to EN 60529
Connection	self-opening connection terminals, max. core cross-section 2 x 2.5 mm <sup>2</sup> , 9-pin Sub-D built-in connector
Material	
Housing	Makrolon 6485
Construction type	K-system, 80 mm (4 TE)

Electrical connection



Indicating/operating means

