



Model Number

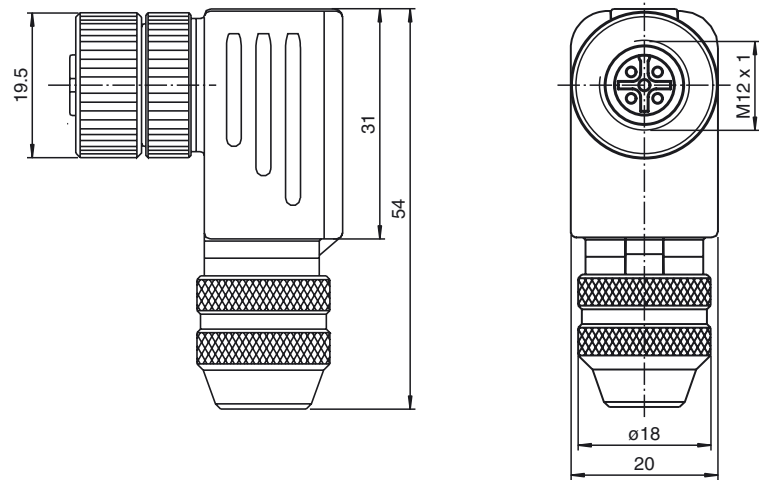
V1-W-IVH

Cable connector for read/write heads with V1 plug connection

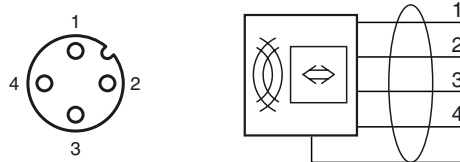
Features

- Cable socket for read/write heads with V1 plug connection
- Manufacturable, screenable

Dimensions



Electrical connection



Technical data

General specifications

Number of poles	4
-----------------	---

Electrical specifications

Operating current	4 A
Rated operational voltage	U_e 250 V

Ambient conditions

Ambient temperature	-25 ... 85 °C (248 ... 358 K)
---------------------	-------------------------------

Mechanical specifications

Cable diameter	4 ... 6 mm
Protection degree	IP67
Connection	Screw connection, 4 x 0.75 mm ² and cramped screen, max. cable diameter 6 mm

Material

Contacts	CuZn
Handle	metal

Cable

Cores	Max. cross-section 0.75 mm ²
-------	---

Notes**Other read head leads**

The read head leads should be screened and have a conductor cross section of at least 0.14 mm².

Read head cables up to 50 m and 100 m long can be used, provided certain conditions are fulfilled.

Read head cable up to 50 m:

Minimum conductor cross-section 4x 0.25 mm²

Maximum resistance, screened 78 Ohm/km

Maximum capacitance 90 pF/m

(e.g. LIYC11C, Muckenhaupt & Nusselt MUNFLEX C11Y)

Read head cable up to 100 m:

Minimum conductor cross-section 4x 0.5 mm²

Maximum resistance 37 Ohm/km

Maximum capacitance 90 pF/m

Important note:

Since the possibility of electromagnetic interference increases with cable length, in some applications it may not be possible to use the cable lengths specified above.