

OCS6000-F22-B3-V1

AS-Interface, retro-reflective sensor

OCS6000-F22-B3-V1

CE



- ◆ Glare protected with polarisation filter
- ◆ Visible red light
- ◆ Automatic adjustment of sensitivity via TEACH-IN, therefore able to detect semi-transparent objects
- ◆ Pre-fault indication and output (dynamic and static)
- ◆ Multifunction input
- ◆ Parameterisation via optical communication link (e.g. optional time increments)
- ◆ Connector (M12 x 1) 90° adjustable position
- ◆ Protection degree IP68
- ◆ All materials approved for food industry applications

Release date: 2007-06-18 15:07 Date of issue: 2007-06-18 048220_ENG.xml

General specifications

Upper limit of the sensing range	6000 mm
Reflector range	600 ... 6000 mm
Reference target	Retro-reflector 100 mm x 100 mm type ORR 100
Light type	Red light 660 nm
Diameter of the light spot	200 mm at a distance of 6000 mm
Ambient light limit	≤ 15000 Lux sun light ≤ 7500 Lux halogen light

Indicators/operating means

LED yellow	switching state
------------	-----------------

Electrical specifications

Rated operational voltage U_e	via AS-Interface network
Time delay before availability t_v	≤ 80 ms (with time delay before availability)

Output

Output type	AS-Interface
Rated operational current I_e	≤ 35 mA
Switching frequency f	≤ 1 kHz
Switch-on delay t_{on}	0.5 ms
Range hysteresis H	parameterisable with ULTRA 2001

Standard conformity

Standards	EN 60947-5-2
-----------	--------------

Ambient conditions

Ambient temperature	-25 ... 70 °C (248 ... 343 K)
Storage temperature	-40 ... 70 °C (233 ... 343 K)

Mechanical specifications

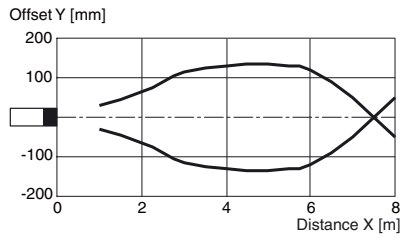
Protection degree	IP68 according to EN 60529
Connection	V1 connector (M12 x 1), rotatable through 90°
Material	
Housing	PBT
Optical face	scratch resistant plastic pane
Mass	60 g



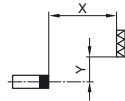
OCS6000-F22-B3-V1

Curves/Diagrams

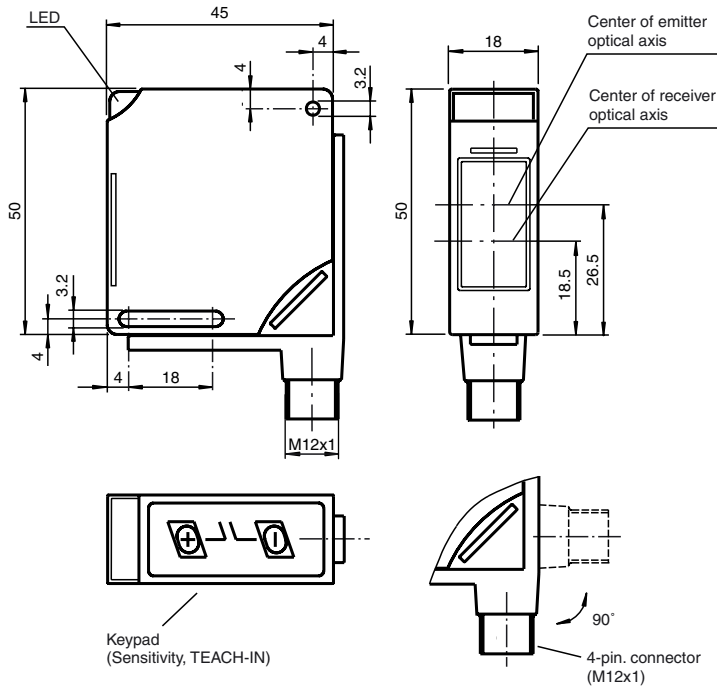
Characteristic response curve



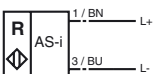
Permissible distance (offset) between optical axis and retro-reflector.



Dimensions



Electrical connection



o = light ON, • = dark ON

AS-Interface programming

Address preset to 00, can be changed via Busmaster or programming devices
 IO code 1
 ID code F

- **Data bit**

Bit	Function
D0	switch output
D1	pre-fault indication (0=ON, 1=OFF)
D2	antivalent switch output
D3	function input

- **Parameter bit**

Bit	Function
P0	not used
P1	not used
P2	not used
P3	not used