



### Model Number

**MVH5000-F50**

Read/write head

### Features

- High operating distance 5 m
- Protection degree IP65

### Accessories

#### MVK-5

5 m connecting cable for read/write head

#### MVK-10

10 m connecting cable for read/write head

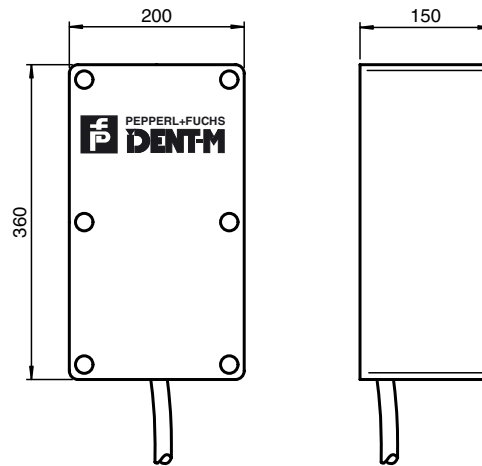
#### MVK-20

20 m connecting cable for read/write head

#### MVK-30

30 m connecting cable for read/write head

## Dimensions



## Technical data

### General specifications

Operating frequency	2.45 GHz $\pm$ 200 kHz
Transfer rate	76.8 kBit/s
Emitted power	80 mW (19 dBm)
Operating distance	recommended: 0.5 ... 5 m maximum: 8 m

### Ambient conditions

Ambient temperature	-20 ... 70 °C (-4 ... 158 °F)
Storage temperature	-20 ... 70 °C (-4 ... 158 °F)

### Mechanical specifications

Protection degree	IP65 according to EN 60529
Connection	2.6 m cable securely connected to head, 1200 mm max length extension cable as accessory
Material	ABS
Installation	
Distance between two heads	15 m at 5 m operating distance
Mass	approx. 3100 g