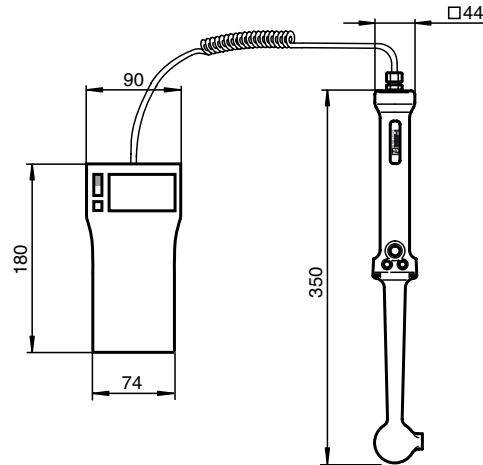




## Dimensions



## Model number

**IPT-HH4**

Handheld read/write device

## Features

- Portable read / write device
- Handheld-computer PSION Workabout with LC-display and keyboard
- Simple operating software
- Protection degree IP43

## Function

The IPT-HH7 hand-held read/write device consists of a read/write device and a PSION-Workabout with operating software. The device is designed for mobile, on-site data acquisition.

Device function is controlled via the PSION-Workabout. The operating program makes available all standard functions. The user can select between German and English menus. In addition, the user can write his own programs.

## Technical data

### General specifications

Operating frequency	125 kHz
Reading distance	0 ... 40 mm
Writing distance	0 ... 25 mm

### Indicators/operating means

Display	PSION Workabout with display
Keyboard	PSION Workabout with alphanumerical keyboard
LED green	at read/write device, can be controlled using software
LED red	at read/write device, can be controlled using software
Button	at read/write device, can be evaluated using software

### Electrical specifications

Supply	battery: 2 AA-size batteries or compatible NiCd rechargeable batteries
--------	--

### Ambient conditions

Ambient temperature	-20 ... 60 °C (253 ... 333 K)
Storage temperature	-25 ... 85 °C (248 ... 358 K)

### Mechanical specifications

Protection degree	IP43 according to EN 60529
Construction type	read/write unit with PSION workabout