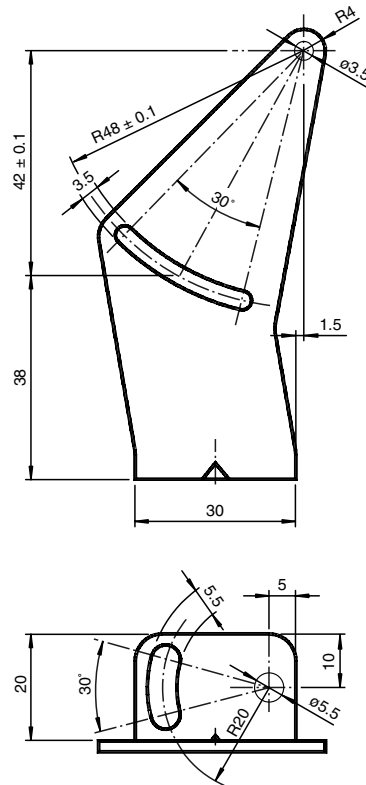




Dimensions



Model number

OMH-MLV11

Mounting bracket for series MLV11 sensors

Features

- Mounting bracket
- Simple and fast mounting

Technical data

Mechanical specifications

Material	Stainless steel
Mass	approx. 40 g
Mounting	Mounting accessories included

Suitable series

Series	MLV11
--------	-------