



OCH100-18GM70-A2-V1

Reflection light scanner with background suppression

OCH100-18GM70-A2-V1

with 4-pin, M12 connector

CE



- ◆ Sensing range up to 100 mm
- ◆ Reflection light scanner with adjustable background suppression
- ◆ Visible red light
- ◆ Strong metallic housing in cylindrical shape M18 x 1
- ◆ Sensitivity adjuster for optimal adaptation to the application
- ◆ LED indicator for a simple operation start
- ◆ Connector M12 x 1 for fast mounting
- ◆ Antivalent outputs for light/dark ON operation or as control function
- ◆ High switching frequency for the detection of fast moving objects

Release date: 2005-05-20 13:50 Date of issue: 2005-07-06 044105_ENG.xml

General specifications

Detection range	30 ... 100 mm
Light source	LED
Approvals	CE
Adjustment range	30 ... 100 mm
Reference target	standard white 100 mm x 100 mm
Light type	red, modulated light
Ambient light limit	10000 Lux
Grey/white difference (18%/90%)	13 % (by 100 mm)

Indicators/operating means

Function display	LED yellow: switching state
Operating elements	sensitivity adjuster

Electrical specifications

Operating voltage	10 ... 30 V DC
Ripple	10 %
No-load supply current I_0	≤ 40 mA
Time delay before availability t_v	≤ 100 ms

Output

Switching type	light/dark switching
Signal output	2 switch outputs pnp, normally open/closed (complementary)
Switching voltage	max. 30 V DC
Switching current	max. 100 mA
Voltage drop U_d	≤ 2.5 V
Switching frequency f	≤ 1 kHz
Switch-on delay t_{on}	0.5 ms
Response time	≤ 0.5 ms

Standard conformity

Standards	EN 60947-5-2
-----------	--------------

Ambient conditions

Ambient temperature	-25 ... 55 °C (248 ... 328 K)
Storage temperature	-30 ... 70 °C (243 ... 343 K)

Mechanical specifications

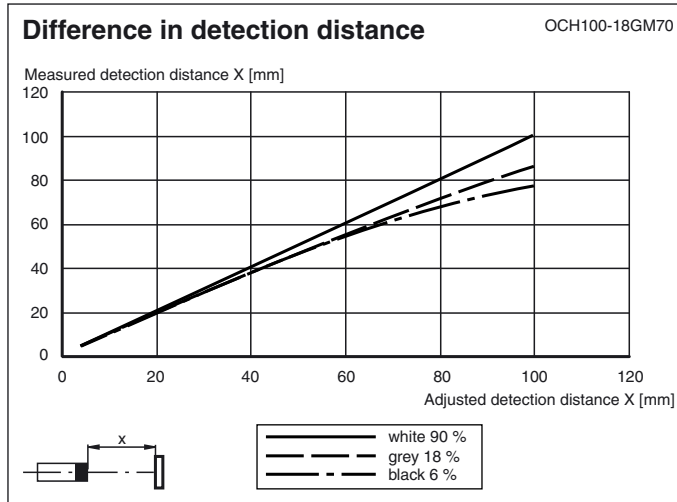
Protection degree	IP65
Connection	connector M12 x 1, 4-pin
Material	
Housing	brass, nickel-plated
Optical face	Glass lens
Mass	80 g

Release date: 2005-05-20 13:50 Date of issue: 2005-07-06 044105_ENG.xml

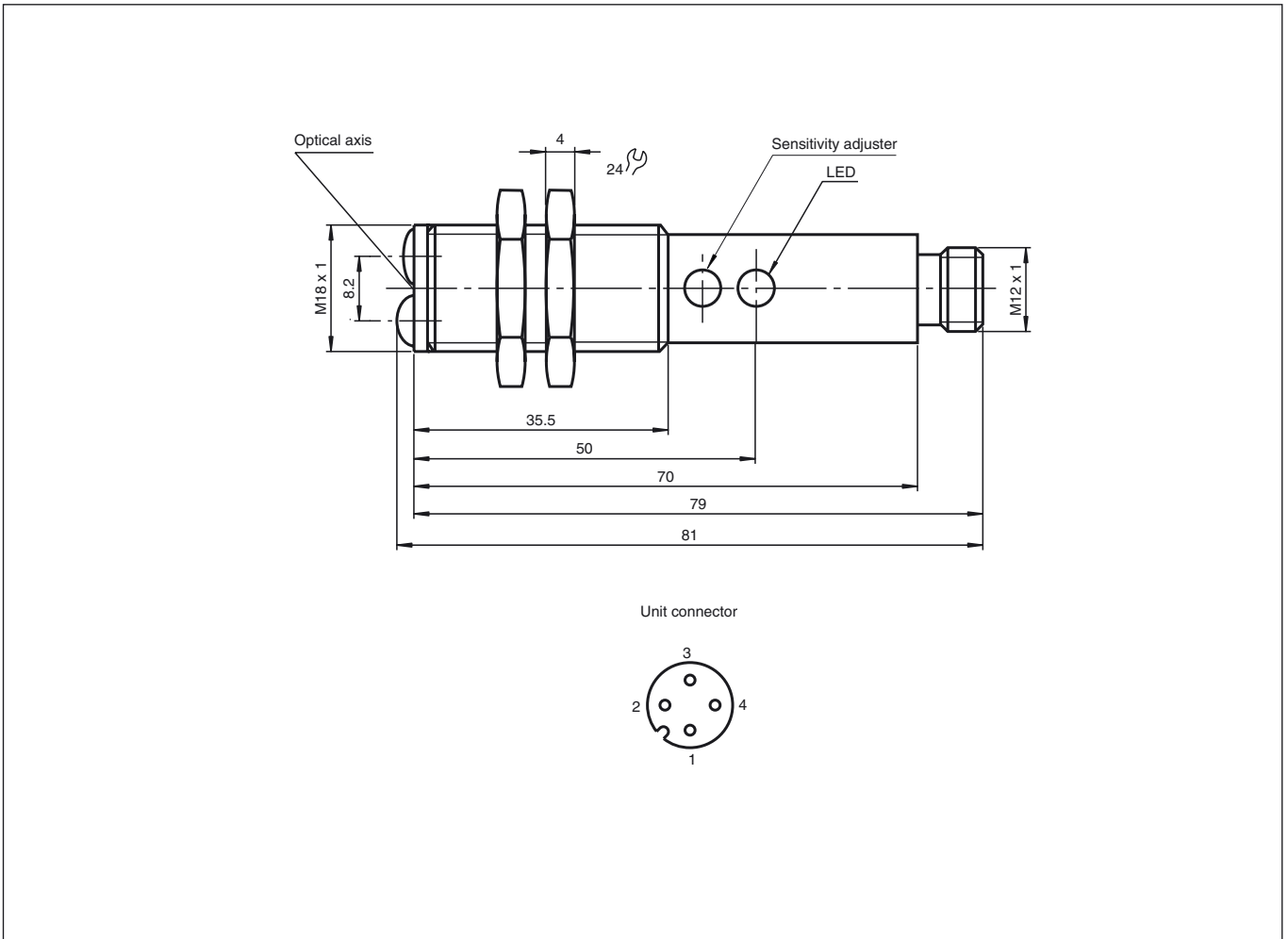


OCH100-18GM70-A2-V1

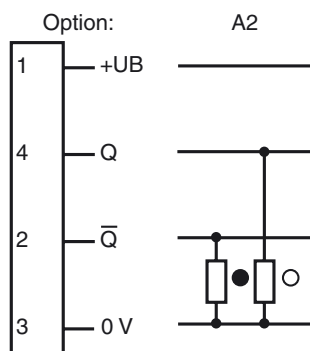
Curves/Diagrams



Dimensions



Electrical connection



○ = light on, ● = dark on

Release date: 2005-05-20 13:50 Date of issue: 2005-07-06 044105_ENG.xml