



Model Number

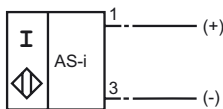
NBB20-L2-B3-1CO-V1-W

Features

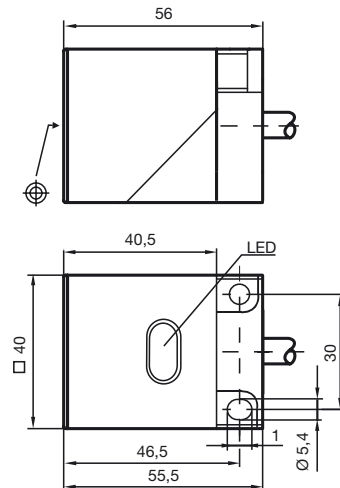
- Basic series
- 20 mm flush
- NO/NC selectable
- Sensor head bidirectional and rotatable
- Protection degree IP67
- Oscillator monitoring

Connection

B3 (...+V1)



Dimensions



Technical Data

General specifications

Switching element function		NO/NC programmable
Rated operating distance	s_n	20 mm
Installation		flush
Output polarity		AS-Interface
Assured operating distance	s_a	0 ... 16.2 mm
Reduction factor r_{AI}		0.3
Reduction factor r_{Cu}		0.3
Reduction factor r_{304}		0.8

Nominal ratings

Operating voltage	U_B	via AS-i bus system
Switching frequency	f	0 ... 100 Hz
Hysteresis	H	typ. 5 %
Operating current	I_L	0 ... 25 mA
Operating voltage display		LED green
Indication of the switching state		LED yellow

Standard conformity

Standards	IEC / EN 60947-5-2:2004
-----------	-------------------------

Ambient conditions

Ambient temperature	-25 ... 70 °C (-13 ... 158 °F)
Storage temperature	-40 ... 85 °C (-40 ... 185 °F)

Mechanical specifications

Protection degree	IP67
Mass	210 g

Programming Instructions

Address 00 preset , alterable
 via Busmaster or
 programming units
 IO-code 1
 ID-code 1

Data bit

Bit function
 D0 switching state
 D1 not used
 D2 oscillator monitoring
 D3 not used

Parameter bit

Bit function
 P0 not used
 P1 switching element function
 NO* / NC
 P2 not used
 P3 not used

* Standard setting

Release date: 2012-05-04 09:28 Date of issue: 2012-05-04 042782_eng.xml