

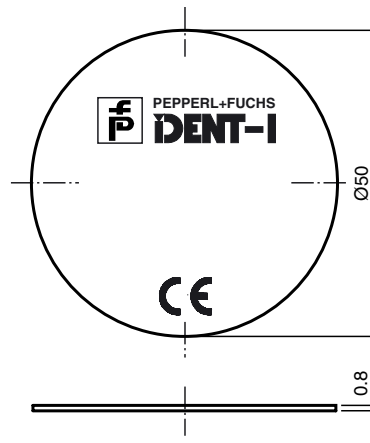


Model Number

IPC03-50

Data carrier

Dimensions



Technical data

General specifications

Operating frequency	125 kHz
Distance	distance tables, see introduction
Series	

Memory

Type/Size	EEPROM 928 Bit ROM 32 Bit
Read cycles	unlimited
Write cycles	> 100000
Data retention period	10 years at 55 °C

Ambient conditions

Ambient temperature	-40 ... 85 °C (233 ... 358 K)
Storage temperature	-40 ... 85 °C (233 ... 358 K)

Mechanical specifications

Protection degree	IP67 according to EN 60529
Material	
Housing	Epoxy (black)

Notes

The transponder can be read and written from either side.