

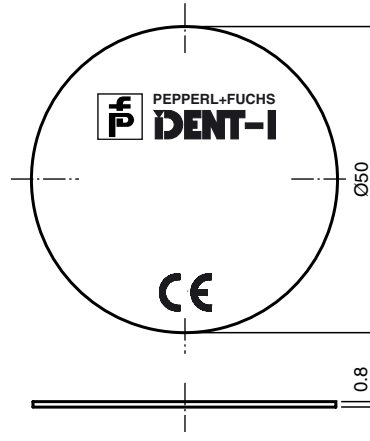
## Model number

IPC02-50

Code carrier



## Dimensions



## Technical data

## General specifications

Operating frequency	125 kHz
Distance	distance tables, see introduction

## Memory

Type/Size	ROM 64 Bit (40 Bit code, 24 bit data security)
Read cycles	unlimited

## Ambient conditions

Ambient temperature	-20 ... 85 °C (253 ... 358 K)
Storage temperature	-20 ... 130 °C (253 ... 403 K)

## Mechanical specifications

Protection degree	IP67 according to EN 60529
Material	
Housing	Epoxy (black)

## Notes

The Code carrier can be read from both sides.