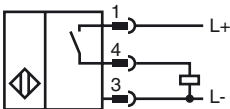




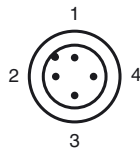
**Model Number**

NJ15+U1+E2-C-V1

**Connection**



**Pinout**



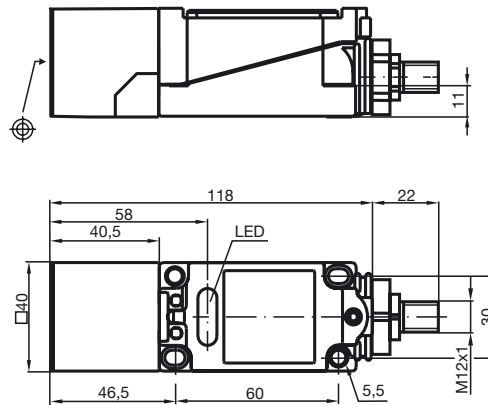
Wire colors in accordance with EN 60947-5-2

1	BN	(brown)
2	WH	(white)
3	BU	(blue)
4	BK	(black)

**Accessories**

**MHW 01**  
Modular mounting bracket

**Dimensions**



**Technical Data**

**General specifications**

Switching element function		PNP	NO
Rated operating distance	$s_n$	15 mm	
Installation		embeddable	
Output polarity		switched high	
Assured operating distance	$s_a$	0 ... 12.15 mm	
Reduction factor $r_{Al}$		0.4	
Reduction factor $r_{Cu}$		0.3	
Reduction factor $r_{303}$		0.85	

**Nominal ratings**

Operating voltage	$U_B$	10 ... 60 V	
Switching frequency	$f$	0 ... 10 Hz	
Hysteresis	$H$	typ. 3 %	
Reverse polarity protected		reverse polarity protected	
Short-circuit protection		pulsing	
Voltage drop	$U_d$	$\leq 3$ V	
Operating current	$I_L$	0 ... 200 mA	
No-load supply current	$I_0$	$\leq 20$ mA	
Constant magnetic field	$B$	100 mT	
Alternating magnetic field	$B$	100 mT	
Operating voltage display		LED, green	
Indication of the switching state		LED, yellow	

**Ambient conditions**

Ambient temperature		-25 ... 70 °C (-13 ... 158 °F)
---------------------	--	--------------------------------

**Mechanical specifications**

Connection type	Device connector M12 x 1, 4-pin
Housing material	PBT
Sensing face	PBT
Protection degree	IP67

**Compliance with standards and directives**

Standard conformity	
Standards	EN 60947-5-2:2007 IEC 60947-5-2:2007

**Approvals and certificates**

UL approval	cULus Listed, General Purpose
CSA approval	cCSAus Listed, General Purpose

Release date: 2011-07-20 11:47 Date of issue: 2011-07-20 0390034\_eng.xml