

CE

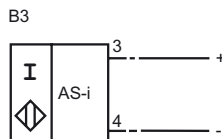
### Model Number

NCN15-M1A-B3-V1

### Features

- Comfort series
- 15 mm non-flush
- Adjustable sensor head
- NO/NC selectable
- Prefailure message and indicator

### Connection



### Accessories

#### V1-G

4-pin, M12 female field-attachable connector

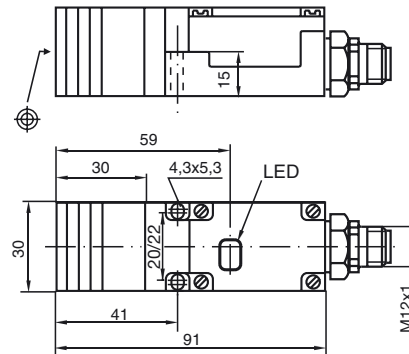
#### V1-W-2M-PUR

Cable socket, M12, 4-pin, PUR cable

#### V1-G-2M-PUR

Cable socket, M12, 4-pin, PUR cable

## Dimensions



## Technical Data

### General specifications

Switching element function		NO/NC programmable
Rated operating distance	$s_n$	15 mm
Installation		non-flush
Output polarity		AS-Interface
Assured operating distance	$s_a$	0 ... 12.1 mm
Reduction factor $r_{AI}$		0.38
Reduction factor $r_{Cu}$		0.36
Reduction factor $r_{304}$		0.72

### Nominal ratings

Operating voltage	$U_B$	26.5 ... 31.9 V via AS-i bus system
Switching frequency	$f$	0 ... 100 Hz
Hysteresis	$H$	1 ... 15 typ. 5 %
Reverse polarity protected		reverse polarity protected
No-load supply current	$I_0$	≤ 25 mA
Operating voltage display		LED, green
Indication of the switching state		LED, yellow
Pre-fault indication		LED, red

### Ambient conditions

Ambient temperature	-25 ... 70 °C (-13 ... 158 °F)
Storage temperature	-40 ... 85 °C (-40 ... 185 °F)

### Mechanical specifications

Connection type	Device connector M12 x 1, 4-pin
Housing material	PBT
Sensing face	PBT
Protection degree	IP67
Mass	170 g

### Compliance with standards and directives

Standard conformity	
Standards	EN 60947-5-2:2007 IEC 60947-5-2:2007

### Programming Instructions

Adresse 00	preset, alterable via Bus-master or programming units
IO-code	1
ID-code	1

### Data bit

Bit	Function
D0	Switching state
D1	pre-fault signal (dynamic)
D2	ready for operation
D3	not used

### Parameter bit

Bit	Function
P0	not used
P1	Switching element function NO* / NC
P2	not used
P3	not used

\* Standard setting