



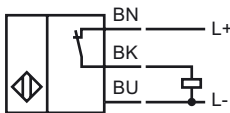
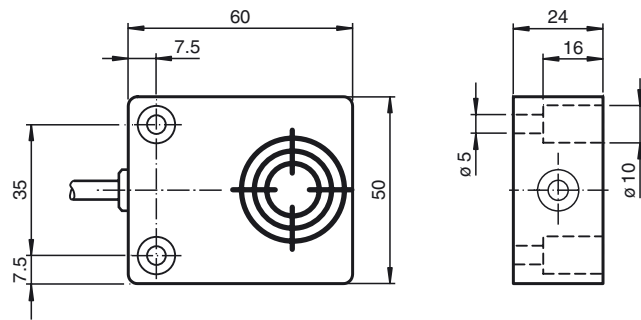
CE

**Model Number**

NJ20E-F34-E3-Y38055

**Features**

- Basic series
- 20 mm embeddable

**Connection****Dimensions****Technical Data****General specifications**

|                            |       |               |    |
|----------------------------|-------|---------------|----|
| Switching element function |       | PNP           | NC |
| Rated operating distance   | $s_n$ | 20 mm         |    |
| Installation               |       | embeddable    |    |
| Output polarity            |       | DC            |    |
| Assured operating distance | $s_a$ | 0 ... 16.2 mm |    |
| Reduction factor $r_{Al}$  |       | 0.3           |    |
| Reduction factor $r_{Cu}$  |       | 0.3           |    |
| Reduction factor $r_{304}$ |       | 0.8           |    |

**Nominal ratings**

|                            |       |                            |
|----------------------------|-------|----------------------------|
| Operating voltage          | $U_B$ | 10 ... 30 V                |
| Switching frequency        | $f$   | 0 ... 150 Hz               |
| Hysteresis                 | H     | typ. 5 %                   |
| Reverse polarity protected |       | reverse polarity protected |
| Short-circuit protection   |       | pulsing                    |
| Voltage drop               | $U_d$ | $\leq 2$ V                 |
| Operating current          | $I_L$ | 0 ... 200 mA               |
| Off-state current          | $I_r$ | 0 ... 0.1 mA               |
| No-load supply current     | $I_0$ | $\leq 10$ mA               |

**Ambient conditions**

|                     |                                 |
|---------------------|---------------------------------|
| Ambient temperature | -35 ... 120 °C (-31 ... 248 °F) |
| Storage temperature | -40 ... 85 °C (-40 ... 185 °F)  |

**Mechanical specifications**

|                    |                     |
|--------------------|---------------------|
| Connection type    | cable PUR , 2 m     |
| Core cross-section | 0.5 mm <sup>2</sup> |
| Housing material   | PBT                 |
| Sensing face       | PBT                 |
| Protection degree  | IP67                |

**Compliance with standards and directives**

|                     |   |
|---------------------|---|
| Standard conformity |   |
| Standards           | EN 60947-5-2:2007<br>IEC 60947-5-2:2007 |