



OSW3000-F20-M4

Optical scanner

# OSW3000-F20-M4

CE



Laser Class II



- ◆ **Function modes:**
  - Standard width measurement
  - Accumulating width measurement
  - Edge detection
- ◆ **Scanning zone 174°**
- ◆ **Laser class 2, eyesafe**
- ◆ **Visible red light**
- ◆ **Parameterisable via Windows software**
- ◆ **TEACH-IN at the optimum threshold adjustment**
- ◆ **Factory settings reset function**
- ◆ **Self test**
- ◆ **Fully automatic TEACH-IN: Static and dynamic, up to the max. switching frequency**
- ◆ **Supplied with retroreflective film and software**

Release date: 2007-06-18 13:27 Date of issue: 2007-06-18 09:6529\_ENG.xml

**General specifications**

Upper limit of the sensing range	3000 mm
Reference target	Supplied with film included
Light type	semiconductor laser Laser class 2, eyesafe

**Indicators/operating means**

LED yellow	switch output OUT A
------------	---------------------

**Electrical specifications**

Rated operational voltage $U_e$	18 ... 30 V DC
No-load supply current $I_0$	$\leq 300$ mA

**Output**

Output type	3 switch outputs E2, pnp, Normally open/closed
Rated operational current $I_e$	100 mA , short-circuit/overload protected
Voltage drop $U_d$	$\geq 2.5$ V (measured over the load)
Switching frequency $f$	10 Hz
Switch-on delay $t_{on}$	100 ms

**Standard conformity**

Standards	EN 60947-5-2
-----------	--------------

**Ambient conditions**

Ambient temperature	0 ... 50 °C (273 ... 323 K)
Storage temperature	-40 ... 80 °C (233 ... 353 K)

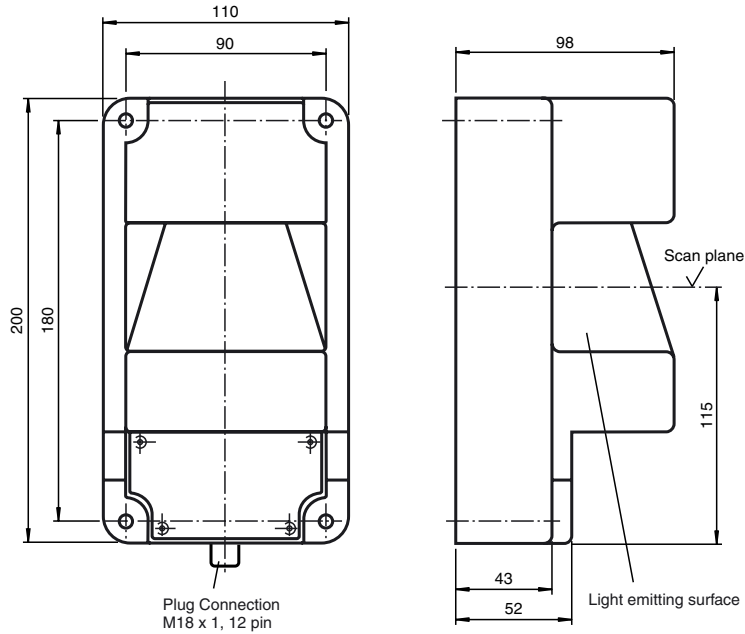
**Mechanical specifications**

Connection	connector (M18 x 1), 12 pin
Material	
Housing	ABS
Optical face	PMMA
Mass	1200 g

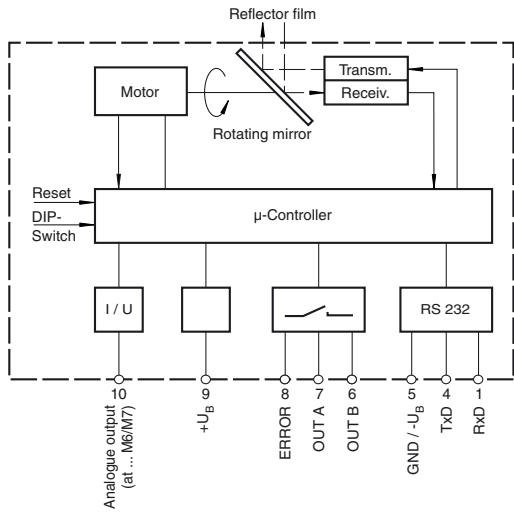


# OSW3000-F20-M4

## Dimensions



## Electrical connection



o = light ON, • = dark ON