



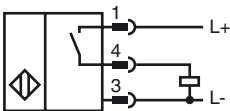
**Model Number**

NBB20-L1-E2-V1

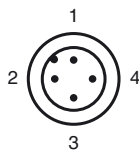
**Features**

- Basic series
- 20 mm embeddable

**Connection**



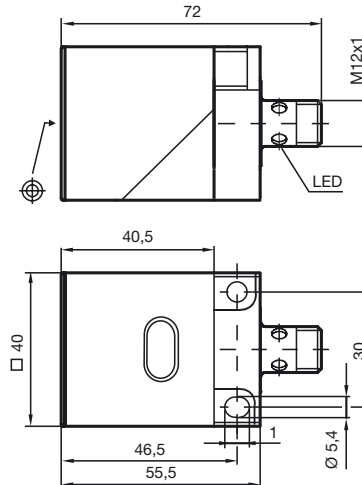
**Pinout**



Wire colors in accordance with EN 60947-5-2

1	BN	(brown)
2	WH	(white)
3	BU	(blue)
4	BK	(black)

**Dimensions**



**Technical Data**

**General specifications**

Switching element function		PNP	NO
Rated operating distance	$s_n$	20 mm	
Installation		embeddable	
Output polarity		DC	
Assured operating distance	$s_a$	0 ... 16.2 mm	
Reduction factor $r_{Al}$		0.4	
Reduction factor $r_{Cu}$		0.35	
Reduction factor $r_{304}$		0.85	

**Nominal ratings**

Operating voltage	$U_B$	10 ... 30 V	
Switching frequency	$f$	0 ... 150 Hz	
Hysteresis	$H$	typ. 5 %	
Reverse polarity protected		reverse polarity protected	
Short-circuit protection		pulsing	
Voltage drop	$U_d$	$\leq 3$ V	
Operating current	$I_L$	0 ... 200 mA	
Off-state current	$I_r$	0 ... 0.5 mA typ. 0.1 $\mu$ A at 25 °C	
No-load supply current	$I_0$	$\leq 20$ mA	
Indication of the switching state		Multihole-LED, yellow	

**Standard conformity**

Standards	IEC / EN 60947-5-2:2004		
-----------	-------------------------	--	--

**Ambient conditions**

Ambient temperature	-25 ... 70 °C (-13 ... 158 °F)		
---------------------	--------------------------------	--	--

**Mechanical specifications**

Housing material	PBT		
Sensing face	PBT		
Protection degree	IP67		

Release date: 2009-10-21 15:08 Date of issue: 2012-02-03 036516\_eng.xml