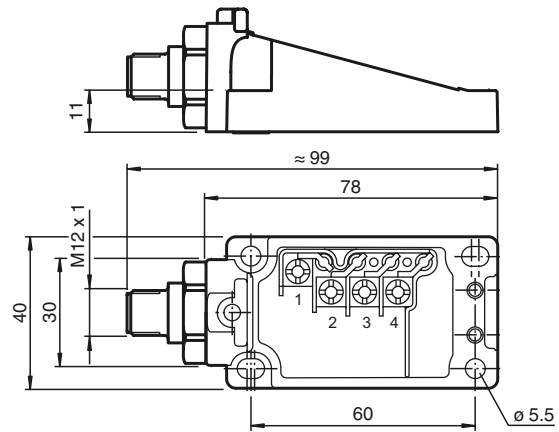




## Dimensions



## Technical data

### Mechanical specifications

Connection	Connector M12 x 1 , 4-pin
Material	PBT

### Model Number

**U1-V1**

Base for VariKont series