



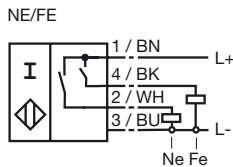
### Model Number

NJ15+U1+2E2-NE/FE

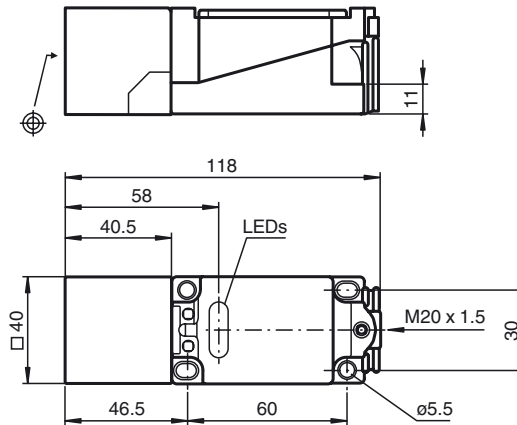
### Features

- **Comfort series**
- **15 mm non-flush**  
Fe = output 4/BK  
Ne = output 2/WH

### Connection



### Dimensions



### Technical Data

#### General specifications

Switching element function	PNP	NO
Rated operating distance	$s_n$	15 mm
Installation		non-flush
Output polarity		Selective
Assured operating distance	$s_a$	0 ... 12.15 mm
Reduction factor $r_{Al}$		1/0
Reduction factor $r_{Cu}$		1/0
Reduction factor $r_{St37}$		0/1
Reduction factor $r_{Brass}$		1/0

#### Nominal ratings

Operating voltage	$U_B$	10 ... 30 V
Switching frequency	$f$	0 ... 100 Hz
Reverse polarity protected		reverse polarity protected
Short-circuit protection		pulsing
Voltage drop	$U_d$	$\leq 3$ V
Operating current	$I_L$	0 ... 200 mA
No-load supply current	$I_0$	$\leq 20$ mA
Indication of the switching state		LED, yellow=Fe; red=Al

#### Functional safety related parameters

MTTF <sub>d</sub>	1110 a
Mission Time ( $T_M$ )	20 a
Diagnostic Coverage (DC)	0 %

#### Ambient conditions

Ambient temperature	0 ... 50 °C (32 ... 122 °F)
---------------------	-----------------------------

#### Mechanical specifications

Connection type	screw terminals
Core cross-section	up to 2.5 mm <sup>2</sup>
Housing material	PBT
Sensing face	PBT
Protection degree	IP68

#### Compliance with standards and directives

Standard conformity	
Standards	EN 60947-5-2:2007 IEC 60947-5-2:2007

#### Approvals and certificates

UL approval	cULus Listed, General Purpose
CSA approval	cCSAus Listed, General Purpose