



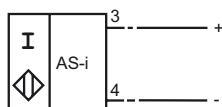
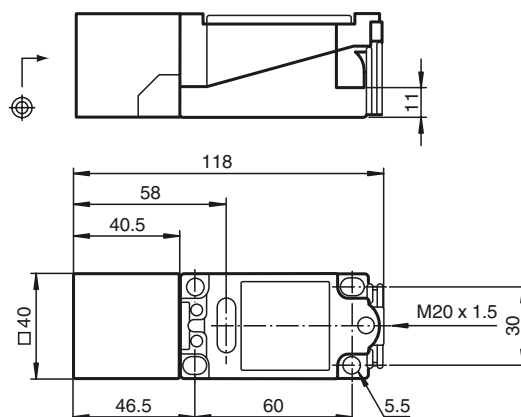
CE

Model Number

NCB20+U1A+B3

Connection

B3

**Dimensions****Technical Data****General specifications**

Switching element function	AS-Interface
Rated operating distance	s_n 20 mm
Installation	flush
Assured operating distance	s_a 0 ... 16.2 mm
Reduction factor r_{AI}	0.3
Reduction factor r_{Cu}	0.25
Reduction factor r_{304}	0.75

Nominal ratings

Operating voltage	U_B 26.5 ... 31.9 V via AS-i bus system
Switching frequency	f 0 ... 40 Hz
Hysteresis	H 1 ... 15 typ. 5 %
Reverse polarity protected	reverse polarity protected
No-load supply current	I_0 \leq 25 mA
Operating voltage display	LED, green
Indication of the switching state	LED, yellow
Pre-fault indication	LED, red

Ambient conditions

Ambient temperature	-25 ... 70 °C (-13 ... 158 °F)
Storage temperature	-25 ... 85 °C (-13 ... 185 °F)

Mechanical specifications

Core cross-section	up to 2.5 mm ²
Housing material	PBT
Sensing face	PBT
Protection degree	IP68

Programming Instructions

Adresse 00	preset, alterable via Bus-master or programming units
IO-code	1
ID-code	1

Data bit

Bit	Function
D0	Switching state
D1	pre-fault signal (dynamic)
D2	ready for operation
D3	not used

Parameter bit

Bit	Function
P0	not used
P1	Switching element function NO* / NC
P2	not used
P3	not used

* Standard setting