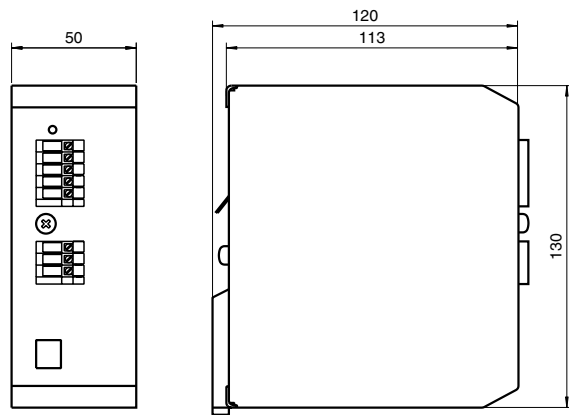
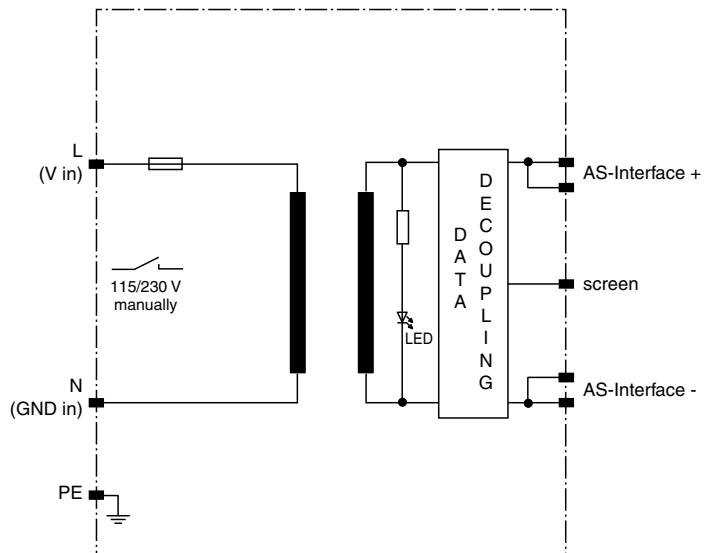




Dimensions



Electrical connection



Model Number

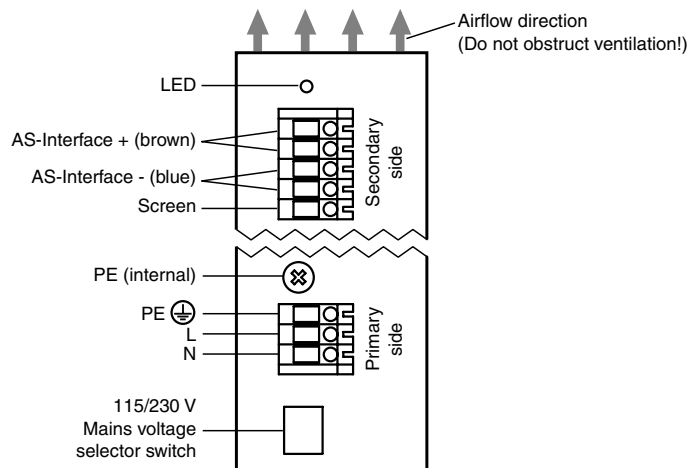
VAN-115/230AC-K6

AS-Interface power supply

Features

- PELV
- 115 V AC / 230 V AC switchable
- Up to 2.8 A output load
- AS-Interface filter integrated
- LED operating display
- 89 % efficiency level

Indicating / Operating means



Technical data**Indicators/operating means**

Mains power selection switch	changeover switch for 115 V AC/230 V AC
LED green	Operating display

Electrical specifications

Mains frequency	47 ... 63 Hz
Efficiency	approx. 89 %
Rated operational voltage	U_e nominal: 115 V AC/230 V AC switchable; permissible: 88 ... 132 V AC/187 ... 264 V AC
Rated operational current	I_e 1.8 A at 115 V AC 1.1 A at 230 V AC

Output

Current	2.8 A
Voltage	29.5 ... 31.6 V DC

Ambient conditions

Ambient temperature	-10 ... 60 °C (263 ... 333 K)
Storage temperature	-20 ... 100 °C (253 ... 373 K)

Mechanical specifications

Protection degree	IP20
Connection	min. 0.5 mm ² , max. 4 mm ² (rigid wire) min. 0.5 mm ² , max. 2.5 mm ² (strand) wire min. 9 mm, max. 15 mm separation

Material

Housing	aluminium
Mass	550 g

Function

The primary switched-mode power supply unit was designed for field bus applications, which transmit both energy and data via a two-wire cable (AS-Interface design). It supplies a fully loaded AS-Interface system with an output current of 2.8 A. In this case, the power supply unit provides the energy, decouples data of the power source and balances the two output cables (AS-Interface + and AS-Interface -) in relation to ground (screen connection).

The precise and transformer coupling permits the use of unshielded load lines.

The PELV output circuit is electronically protected against overload and continuous short circuit. Its structure is equivalent to safety isolating transformers per VDE 0551.

Fuse:

The power supply unit is electronically protected against external short circuits. In case of a defect, the internal fuse disconnects the power supply unit from the supply.

Note:

Do not remove any screws from the housing without consulting us, since internal protective earthing connections might disconnect.

**This device is a discontinued model.
Successor: VAN-115/230AC-K13-EFD**