



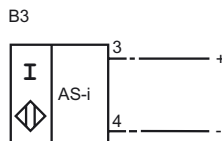
Model Number

NCN30+U1A+B3

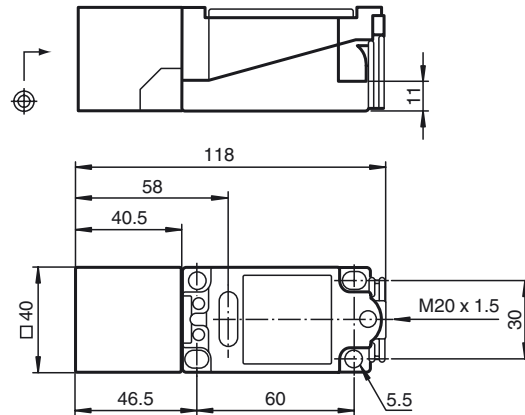
Features

- Comfort series
- 30 mm non-flush
- NO/NC selectable
- Oscillator monitoring
- Adjustable sensor head
- Prefailure message and indicator

Connection



Dimensions



Technical Data

General specifications

Switching element function		NO/NC programmable
Rated operating distance	s_n	30 mm
Installation		non-flush
Output polarity		AS-Interface
Assured operating distance	s_a	0 ... 24.3 mm
Reduction factor r_{AI}		0.5
Reduction factor r_{Cu}		0.45
Reduction factor r_{304}		0.85

Nominal ratings

Operating voltage	U_B	26.5 ... 31.9 V via AS-i bus system
Switching frequency	f	0 ... 150 Hz
Hysteresis	H	1 ... 15 typ. 5 %
Reverse polarity protected		reverse polarity protected
No-load supply current	I_0	≤ 25 mA
Operating voltage display		LED, green
Indication of the switching state		LED, yellow
Pre-fault indication		LED, red

Ambient conditions

Ambient temperature	-25 ... 70 °C (-13 ... 158 °F)
Storage temperature	-40 ... 85 °C (-40 ... 185 °F)

Mechanical specifications

Core cross-section	up to 2.5 mm ²
Housing material	PBT
Sensing face	PBT
Protection degree	IP68
Note	discontinued model successor: NBN30+U1A+B3

Compliance with standards and directives

Standard conformity	
Standards	EN 60947-5-2:2007 IEC 60947-5-2:2007

Approvals and certificates

UL approval	cULus Listed, General Purpose
CSA approval	cCSAus Listed, General Purpose

Programming Instructions

Adresse 00	preset, alterable via Bus-master or programming units
IO-code	1
ID-code	1

Data bit

Bit	Function
D0	Switching state
D1	pre-fault signal (dynamic)
D2	ready for operation
D3	not used

Parameter bit

Bit	Function
P0	not used
P1	Switching element function NO* / NC
P2	not used
P3	not used

* Standard setting