



- Control circuit EEx ia IIC
- Lead breakage (LB) monitoring and short-circuit (SC) monitoring
- Analogue output 0/4 mA ... 20 mA
- 1 serially switched output
- 1 error message output

24 V DC:
KFD2-FSU-Ex1

Successor KFD2-UFC-Ex1

Function

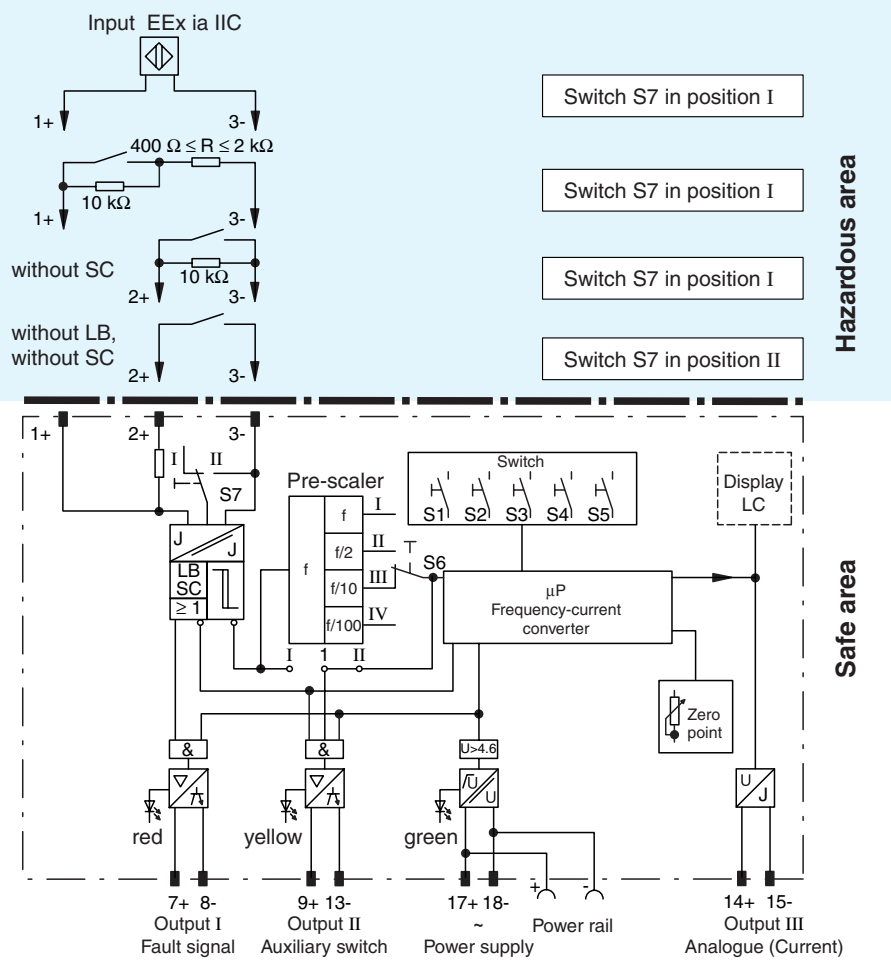
The frequency current converter converts the input frequency into a set current. It is designed for the connection of a sensor per DIN EN 60947-5-6 (NAMUR), a non-rebounding contact or an electrical switch.

The input frequency (max. 5 kHz), in which 20 mA should flow across the output, is adjustable within the range of 0.001 ... 999 Hz. At higher frequencies, the input frequency should be divided across a pre-separator so that a max. frequency of 1 kHz lies at the microprocessor of the FSU. A load of 0 to 650 Ohm is approved at the analogue output. The present current value is indicated by units with LC-displays in 3 1/2 characters. The zero point (0 mA or 4 mA) can be adjusted through the "Zero point" potentiometer on the front panel. The zero point is pre-set at the factory. A readjustment is normally not necessary.

The response time of the analogue output is set using the S5 thumbwheel switch with jumps in the input frequency. The fault signal output, the serial switch output, the power supply and the current output are galvanically isolated per DIN VDE 0160.

The power supply and the current output are galvanically isolated from each other in accordance with DIN VDE 0160.

Connection



Hazardous area

Safe area

Composition

Front View

Housing type B2 (see system description)

Switch S7 (LB-monitoring)

Potentiometer Zero point adjustment

LED yellow: Output II auxiliary switch

LED red: Output I fault signal

Removable terminal blue

Display LC Option

LED green: Power

S1, S2, S3 Frequency adjustment
S4 Exponent, 0/4...20mA
S5 Time constant

Pre-scaler S6

Removable terminals green

Supply	
Connection	terminals 17+, 18-
Rated voltage	20 ... 35 V DC
Ripple	≤ 10 %
Rated current	≤ 149 mA
Input	
Connection	terminals 1+, 2+, 3-
Rated values	acc. to EN60947-5-6 (NAMUR), see system description for electrical data
Open circuit voltage/Short-circuit current	approx. 8 V DC / approx. 8 mA
Switching point/Switching hysteresis	1,2 ... 2,1 mA / approx. 0,2 mA
Pulse/Pause ratio	≥ 0,1 ms / ≥ 0,1 ms
Lead monitoring	breakage I = 0,05 ... 0,15 mA , short-circuit 6,2 ... 7,4 mA
Output	
Connection	output I: terminals 7+, 8- ; output II: terminals 9+, 13- ; output III: terminals 14+, 15-
Output I	fault signal ; electronic output, passive
Output I and II	
Signal level	1-signal: (L+) -2.5 V (100 mA, short-circuit proof) 0-signal: blocked output (off-state current ≤ 10 µA)
Output II	serial switching ; electronic output, passive
Output III	Analogue output
Current range	0 ... 20 mA or 4 ... 20 mA , max. 25 mA
Open loop voltage	≤ 27 V DC
Load	≤ 650 Ohm
Transfer characteristics	
Resolution	12 Bit (equivalent to 6.1 µA)
Deviation	current-frequency converter, analogue output: ± 0.6 % of nominal output current ± 60 µA LC display (optional): ± 0.6 % of nominal output current ± 100 µA
Switching frequency	≤ 5 kHz
Electrical isolation	
Input/Output	safe electrical isolation acc. to EN 50020
Input/power supply	safe electrical isolation acc. to EN 50020
Output/power supply	available
Output/Output	available
Directive conformity	
Electromagnetic compatibility	
Directive 89/336/EC	on request
Conformity	
Insulation coordination	EN 50178
Electrical isolation	EN 50178
Input	EN 60947-5-6 (NAMUR), see system description for electrical data
Ambient conditions	
Ambient temperature	-25 ... 65 °C (248 ... 338 K)
Mechanical specifications	
Protection degree	IP20
Mass	approx. 260 g
Dimensions	40 x 100 x 115 mm (1.6 x 3.9 x 4.5 in)
Data for application in conjunction with hazardous areas	
EC-Type Examination Certificate	PTB No. Ex-89.C.2145 ; for additional certificates refer to the approval list
Group, category, type of protection	[Ex ia] IIC resp. [Ex ia] IIB
Voltage U ₀	12,7 V
Current I ₀	17,3 mA
Power P ₀	55 mW
Supply	
Safety maximum voltage U _m	40 V DC (Attention! The rated voltage can be lower.)
Type of protection [Ex ia]	
Explosion group	IIB IIC
External capacitance	1,1 µF 0,45 µF
External inductance	5 mH 2 mH
Type of protection [Ex ib]	
Explosion group	IIB IIC
External capacitance	5 µF 1,2 µF
External inductance	410 mH 114 mH
Outputs	

03/03/05 033922_ENG.xml

Safety maximum voltage U_m	40 V DC (Attention! The rated voltage can be lower.)		
Electrical isolation			
Input/Output	safe electrical isolation acc. to EN 50020		
Input/power supply	safe electrical isolation acc. to EN 50020		
Directive conformity			
Directive 94/9 EC	on request		
Safety parameter			
CSA control drawing	LR 36087-30		
Connection	terminals 1, 3; 2, 3; 4, 6; 5, 6		
Input I			
Safety parameter	12,6 V / 650 Ohm		
Voltage V_{OC}	12,6 V		
Current I_{SC}	19,8 mA		
Explosion group	A&B	C&E	D, F&G
Max. external capacitance C_a	1,273 μ F	3,82 μ F	10,18 μ F
Max. external inductance L_a	84,88 mH	298,7 mH	744,4 mH

Supplementary information

EC-Type Examination Certificate, Statement of Conformity, Declaration of Conformity and instructions have to be observed. For information see www.pepperl-fuchs.com.

Notes

Lead breakage and short circuit monitoring

The outputs are cut off, when the current in the control circuit is $J < 0,1$ mA (in respect to lead breakage monitoring) or $J > 6$ mA (in respect to short circuit monitoring), in this case the fault signal output is switched and indicates a fault through the illumination of LED 2 (red).

Accessories

Power Rail PR-03

Power Rail UPR-03

Power feed module KFD2-EB2...

By means of the Power Rail PR-03 or UPR-03 the devices can be provided with 24 V DC via the power feed module. If no Power Rails are used, power supply of the individual devices is realised directly via their device terminals.

Each power feed module is used for fusing and monitoring groups with up to 100 individual devices. The Power Rail PR-03 is an inset component for the DIN rail. The Power Rail UPR-03 is a complete unit consisting of the electrical inset and an aluminium profile rail 35 mm x 15 mm x 2000 mm. To make electrical contact, the devices are simply engaged.

The Power Rail must not be fed via the device terminals of the individual devices!

Adjustment instructions pre-scaler (S6)

The input frequency f_E can be reduced via a pre-scaler, as the microprocessor of the frequency current converter can process a maximum of 1 kHz (pulse to no-current ratio 1 : 1).

The adjustment is accomplished via a multi position switch.			
Switch in pos. I:	1 : 1 (1 kHz)	Æ	Separator ratio TV = 1
Switch in pos. II:	2 : 1 (2 kHz)	Æ	Separator ratio TV = 0.5
Switch in pos. III:	10 : 1 (5 kHz)	Æ	Separator ratio TV = 0.1
Switch in pos. IV:	100 : 1 (5 kHz)	Æ	Separator ratio TV = 0.01

By means of the solder bridge 1 can be determined, if the serially switched output is operated dependent or independent of the adjustment of the pre-scaler.

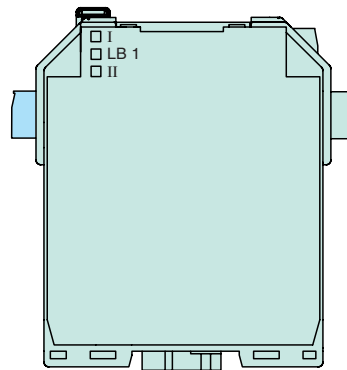
Solder bridge 1 in pos. I:	Serially switched output switches pre-scaler independent
Solder bridge 1 in Pos. II:	Serially switched output switches pre-scaler dependent
Delivery:	Solder bridge 1 in position II

033922_ENG.xml

03/03/05

Adjustment of the jumper 1

After removal of the cover and of the left-hand side part the jumper is visible on the printed circuit board.



Input frequency adjustment f_E

By means of the thumbwheel switch S1 - S4 the frequency is adjustable, at which the maximum current of 20 mA is to flow. However the position of the pre-scaler should be considered.

Adjustment of the thumbwheel switches

Nominal frequency
 $f_n = (S1 \times 100 + S2 \times 10 + S3 \times 1) \times S4 \times TV$
 TV = separator ratio

example: nominal frequency 0 Hz ... 3.57 Hz
 output current 4 mA ... 20 mA
 adjustment S1 : 3/S2 : 5
 S3 : 7/S4 : 6
 (357 x 10⁻² Hz)
 S6 : I (TV = 1)

Switch S1	(0 - 9) x 100
Switch S2	(0 - 9) x 10
Switch S3	(0 - 9) x 1
Switch S4	according to the table

Switch S4 switch position	Input frequency f_E (S1 + S2 + S3)	0-Point of the output characteristic
0	x 10 ⁻⁰ Hz	0 mA
1	x 10 ⁻¹ Hz	0 mA
2	x 10 ⁻² Hz	0 mA
3	x 10 ⁻³ Hz	0 mA
4	x 10 ⁻⁰ Hz	4 mA
5	x 10 ⁻¹ Hz	4 mA
6	x 10 ⁻² Hz	4 mA
7	x 10 ⁻³ Hz	4 mA

Adjustment of the time response

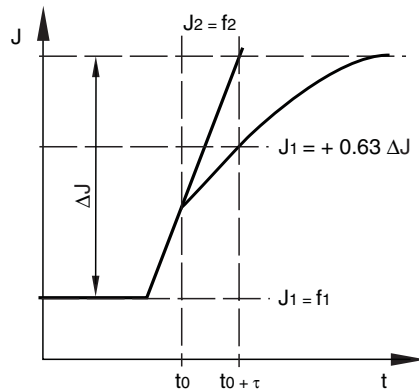
By means of the thumbwheel switch S5 the time can be set, after which the output current rises in case of an erratic rise of the input frequency.

The value of the time constant t is calculated from the following formula:

$$\tau = \frac{2^{N+1}}{f_s} \quad f_s = \text{reference frequency}$$

The value N can be set at the thumbwheel switch S5 from 0 ... 9.

Step response



$J(t) = J_1 + (J_2 - J_1) \times (1 - e^{-\frac{t}{\tau}})$
 $J(t) = J_1 + \Delta J \times (1 - e^{-\frac{t}{\tau}})$
 J(t): Output current
 J1: Output current at frequency f1
 J2: Output current at frequency f2
 ΔJ : Output current difference J2 - J1
 τ : time constant