



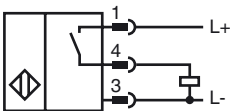
Model Number

NCN100-F23-E2-V1

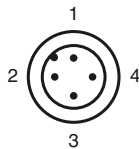
Features

- 100 mm not embeddable
- 3-wire DC

Connection



Pinout



Wire colors in accordance with EN 60947-5-2

1	BN	(brown)
2	WH	(white)
3	BU	(blue)
4	BK	(black)

Accessories

V1-G

4-pin, M12 female field-attachable connector

V1-W

4-pin, M12 female field-attachable connector

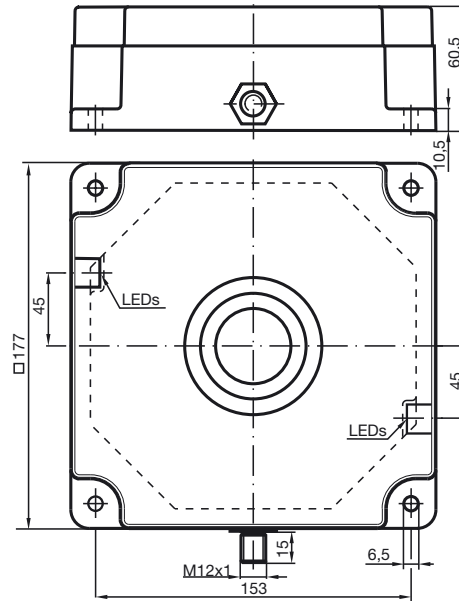
V1-W-2M-PUR

Cable socket, M12, 4-pin, PUR cable

V1-G-2M-PUR

Cable socket, M12, 4-pin, PUR cable

Dimensions



Technical Data

General specifications

Switching element function	PNP	NO
Rated operating distance	s_n	100 mm
Installation	not embeddable	
Output polarity	DC	
Assured operating distance	s_a	0 ... 81 mm
Reduction factor r_{Al}	0.37	
Reduction factor r_{Cu}	0.35	
Reduction factor r_{303}	1	
Reduction factor r_{Brass}	0.47	

Nominal ratings

Installation conditions

A	60 mm
B	300 mm
C	300 mm
D	80 mm
E	30 mm
F	180 mm

Operating voltage	U_B	10 ... 30 V DC
Switching frequency	f	0 ... 10 Hz
Hysteresis	H	typ. 8 %
Reverse polarity protected	reverse polarity protected	
Short-circuit protection	pulsing	
Voltage drop	U_d	≤ 3 V
Operating current	I_L	0 ... 200 mA
Off-state current	I_r	
No-load supply current	I_0	≤ 20 mA
Operating voltage display	LED, green	
Indication of the switching state	LED, yellow	

Ambient conditions

Ambient temperature	-25 ... 70 °C (-13 ... 158 °F)
---------------------	--------------------------------

Mechanical specifications

Connection type	Device connector M12 x 1 , 4-pin
Housing material	ABS (TSG), bottom Al
Sensing face	ABS
Protection degree	IP67

Compliance with standards and directives

Standard conformity	
Standards	EN 50044

Approvals and certificates

UL approval	cULus Listed, General Purpose
CSA approval	cCSAus Listed, General Purpose

Installation hint

Mounting:

