



OCT2000+U1A+B3

Diffuse mode sensor

OCT2000+U1A+B3

with terminal compartment or 4-pin, connector

CE



- ◆ Sensing range up to 2 m
- ◆ Light/dark ON parameterisable
- ◆ AS-Interface certificate
- ◆ Protected against mutual interference
- ◆ Pre-fault indication (dynamic, static)
- ◆ Position of the sensor head adjustable
- ◆ Protection degree IP67
- ◆ Scratch resistant mineral glass lens

Release date: 2007-06-18 14:23 Date of issue: 2007-06-18 033180_ENG.xml

General specifications

Detection range	0 ... 2000 mm
Light source	LED
Approvals	CE
Adjustment range	150 ... 2000 mm
Reference target	standard white 200 mm x 200 mm
Light type	infrared, modulated light
Ambient light limit	10000 Lux

Indicators/operating means

Operating display	LED green
Function display	LED yellow: switching state LED red flashing pre-fault indicator
Operating elements	sensitivity adjuster

Electrical specifications

Operating voltage	via AS-Interface network
No-load supply current I_0	≤ 40 mA
Time delay before availability t_v	≤ 20 ms

Output

Output of the pre-fault indication	data bit D1 (not at 1.5 kHz)
Switching type	light/dark switching
Signal output	AS-Interface
Switching frequency f	≤ 1.5 kHz / 200 Hz parameterisable with ULTRA 2001
Response time	≤ 0.3 ms at 1.5 kHz , ≤ 2.5 ms at 200 Hz
Timer function	pulse extension 20 ms, configurable
Pulse extension	20 ms parameterisable

Standard conformity

Standards	EN 60947-5-2
-----------	--------------

Ambient conditions

Ambient temperature	-25 ... 70 °C (248 ... 343 K)
Storage temperature	-40 ... 80 °C (233 ... 353 K)

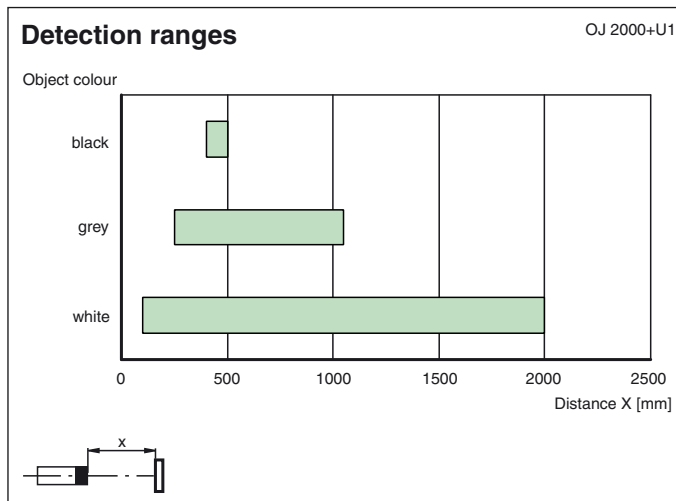
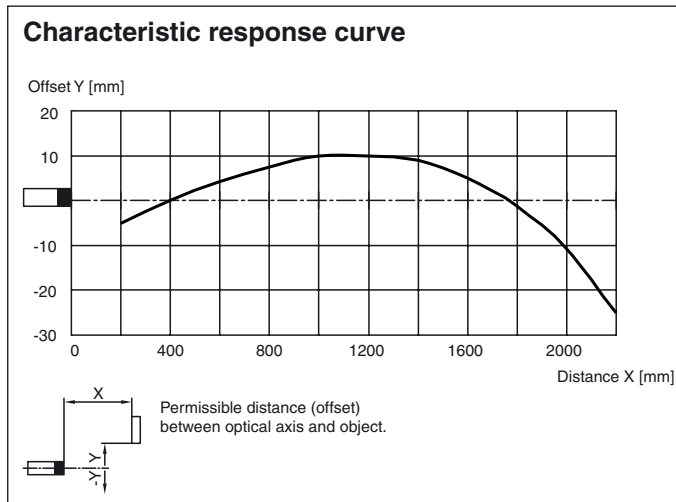
Mechanical specifications

Protection degree	IP67
Connection	terminal compartment PG9, ≤ 2.5 mm ²
Material	
Housing	PBT
Optical face	Scratch resistant mineral glass lens
Mass	200 g

Release date: 2007-06-18 14:23 Date of issue: 2007-06-18 033180_ENG.xml



Curves/Diagrams



AS-Interface programming

Address preset to 00, can be changed via Busmaster or programming devices

IO code 1

ID code 1

• **Data bit**

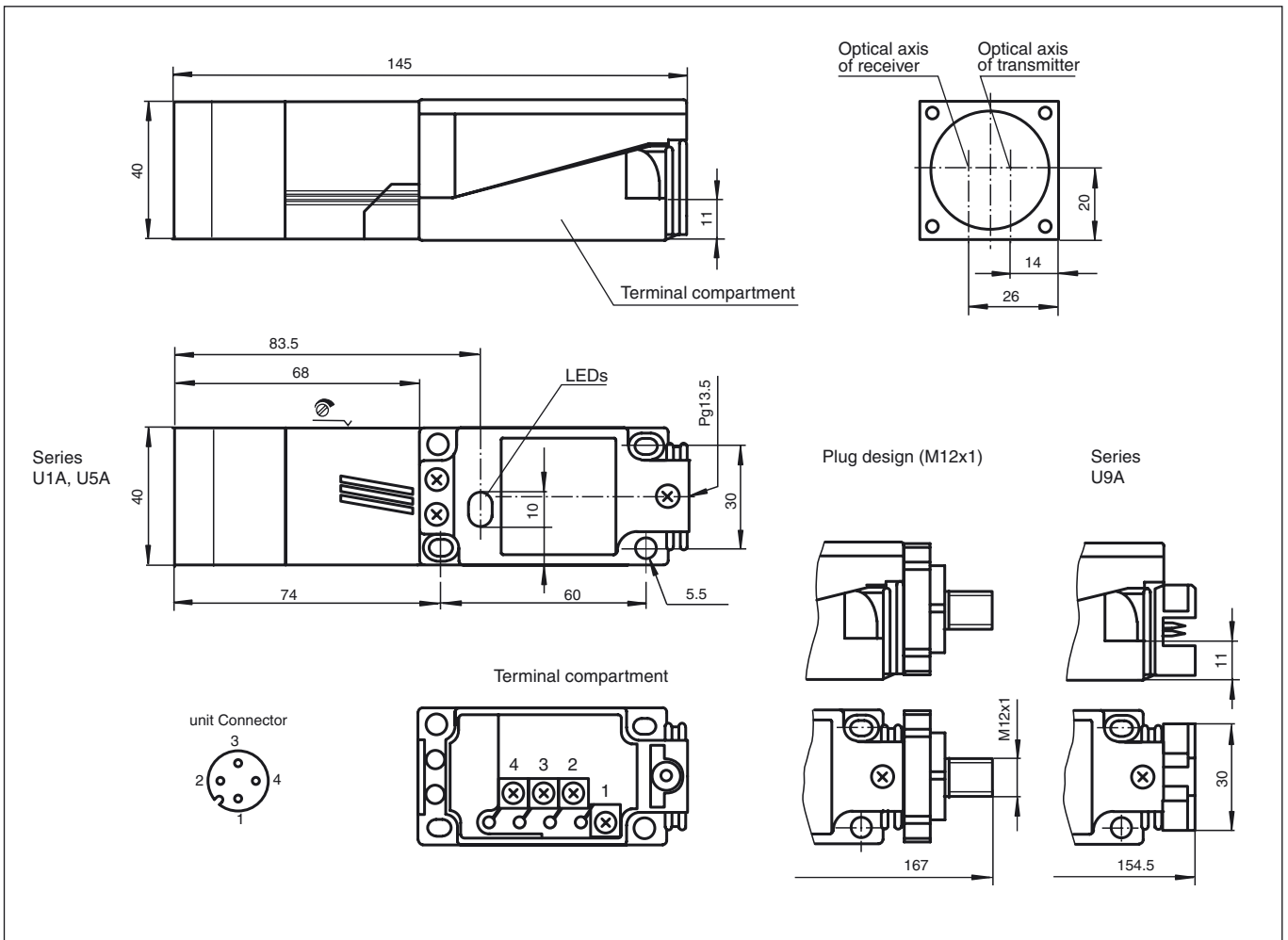
Bit	Function
D0	switch output
D1	pre-fault indication (0=ON, 1=OFF)
D2	ready to operate
D3	switching frequency 200 Hz ³⁾ /1.5 kHz ³⁾

• **Parameter bit**

Bit	Function (1/2)
P0	pulse frequency 1*/2
P1	switch output, light*/dark ON
P2	pulse extension (20 ms) OFF*/ON
P3	pre-fault indication ³⁾ dynamic*/static

* Default setting ³⁾No activation of pre-fault signal at 1.5 kHz.

Dimensions



Electrical connection



○ = light on, ● = dark on