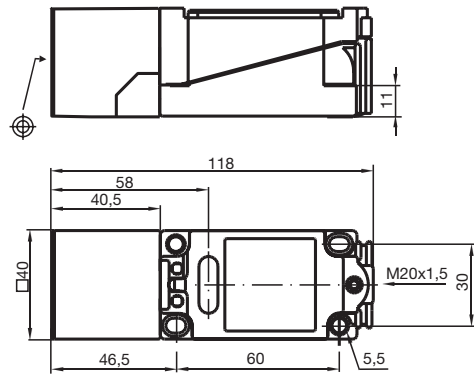


Zone 10

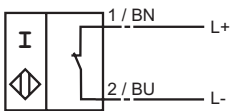
15 mm embeddable



Switching element function	NAMUR NC
Rated operating distance $s_n$	15 mm
Installation	embeddable
Assured operating distance $s_a$	0 ... 12,15 mm
Reduction factor $r_{AI}$	0,4
Reduction factor $r_{Cu}$	0,3
Reduction factor $r_{V2A}$	0,85
Nominal voltage $U_o$	8 V
Switching frequency $f$	0 ... 150 Hz
Current consumption	
Measuring plate not detected	$\geq 3$ mA
Measuring plate detected	$\leq 1$ mA
EMC in accordance with	EN 60947-5-2
Standards	DIN EN 60947-5-6 (NAMUR)
Ambient temperature	-25 ... 100 °C (248 ... 373 K)
Connection type	terminal compartment
Core cross-section	up to 2.5 mm <sup>2</sup>
Housing material	PBT
Sensing face	PBT
Protection degree	IP68

### Connection\_type:

N / NO



032532\_ENG.xml

2003-06-02

www.pepperl-fuchs.com

PEPPERL+FUCHS GmbH

## Data for Ex areas

Effective internal inductivity $C_i$	$\leq 140 \text{ nF}$
Effective internal inductance $L_i$	$\leq 130 \text{ }\mu\text{H}$