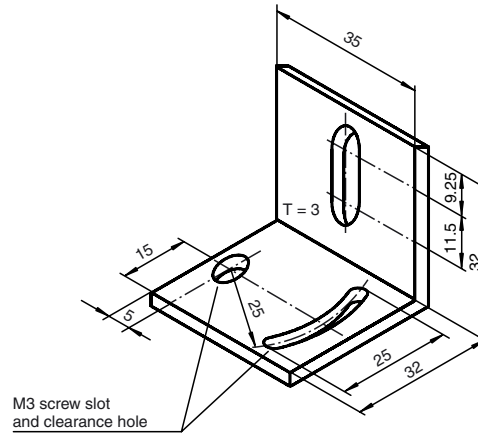




Dimensions



Model number

OMH-GL

Mounting bracket for glass fibre light guide

Features

- Mounting bracket
- For glass fibre light guide
- Simple and fast mounting

Technical data

Mechanical specifications

| | |
|----------|--------------|
| Material | aluminium |
| Mass | approx. 20 g |

Suitable series

| | |
|--------|-------------------------|
| Series | Glass fibre light guide |
|--------|-------------------------|